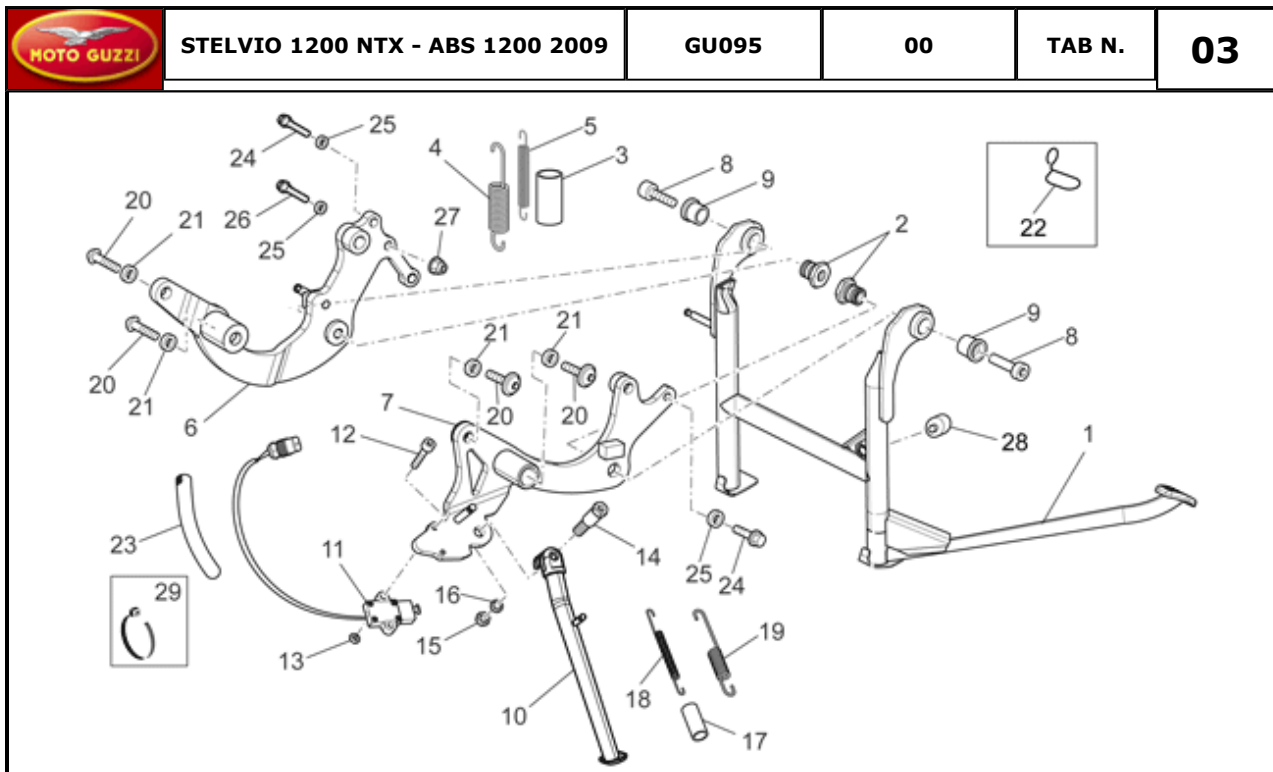
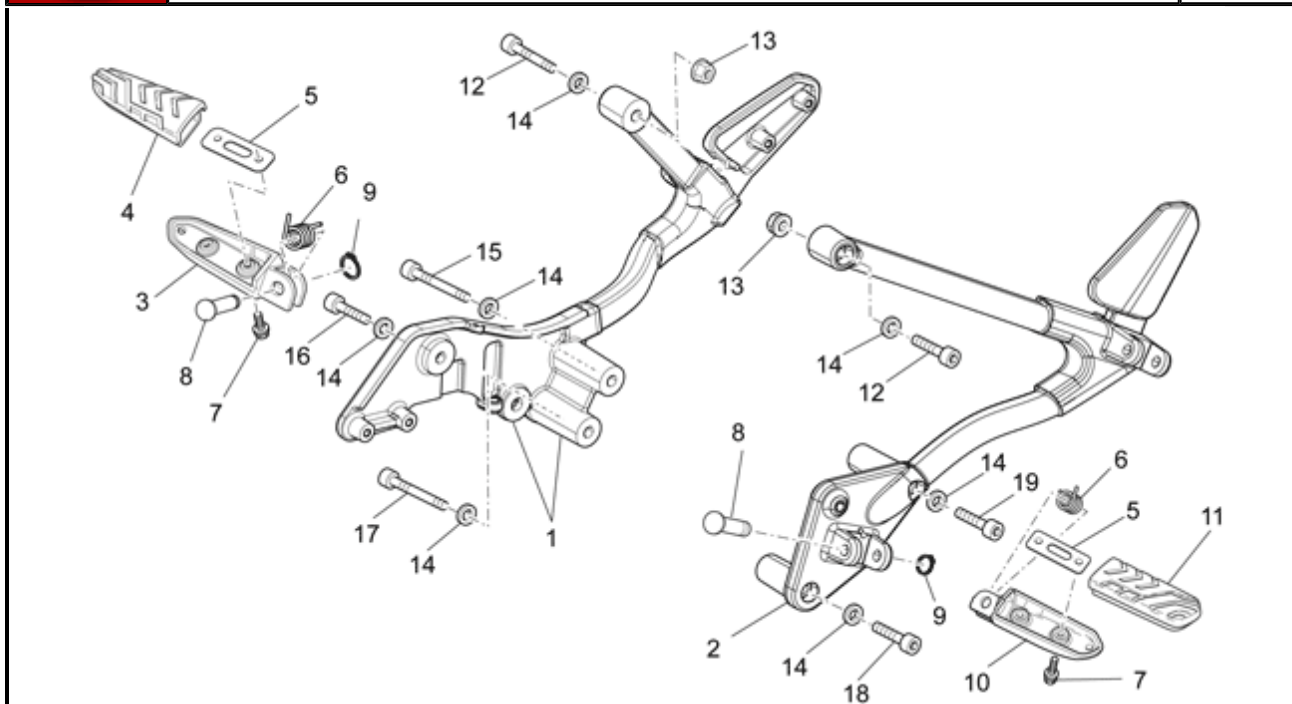
		STELVIO 1200 NTX - ABS 1200 2009	GU095	00	TAB N.	01		
FRAME								
Pos.	Description	Year	I_M	Country	Version	Code	Q.ty	P.Cod.
1	Frame	-	-	-	-	978005	1	BA009
2	Hex socket screw M12x50	-	-	-	-	GU98682650	2	-
3	Washer 13x18x1,7	-	-	-	-	GU30217900	2	-
4	Pin M12x260	-	-	-	-	978841	1	BA329
5	Washer 13x24x2,5	-	-	-	-	GU95008313	2	-
6	Bush	-	-	-	-	978874	1	-
7	LH plate	-	-	-	-	978984	1	BA19B
8	Screw w/ flange M8x30*	-	-	-	-	AP8152288	4	-
9	Screw	-	-	-	-	GU98054520	2	-
10	Washer 10,5x16x1	-	-	-	-	GU19149800	2	-
11	Pin M12	-	-	-	-	AP8221307	1	BA329
12	Washer	-	-	-	-	GU95129240	2	-
13	Low self-locking nut M12*	-	-	-	-	AP8150432	2	-
14	Plug	-	-	-	-	978526	2	-
15	Screw M8x14	-	-	-	-	GU98692414	2	-
16	Washer 8,4X13X0,8	-	-	-	-	GU14615901	6	-
17	Gasket	-	-	-	-	GU06409800	1	-
18	Clip M6	-	-	-	-	GU28576591	6	-
19	Nut with clip M6	-	-	-	-	GU28576592	6	-
20	Clip M5	-	-	-	-	AP8102375	12	-
21	RH plate	-	-	-	-	883101	1	BA19A

Pos.	Description	Year	I_M_	Country	Version	Code	Q.ty	P.Cod.
2	Hex socket screw M8x40	-	-	-	-	GU98680440	2	-
3	Self-locking nut M8*	-	-	-	-	AP8152300	2	-
4	Screw w/ flange M6x20	-	-	-	-	AP8152279	2	-
5	Washer 6,4x12x1,2	-	-	-	-	GU95100141	2	-
6	Nut with clip M6	-	-	-	-	GU28576592	2	-

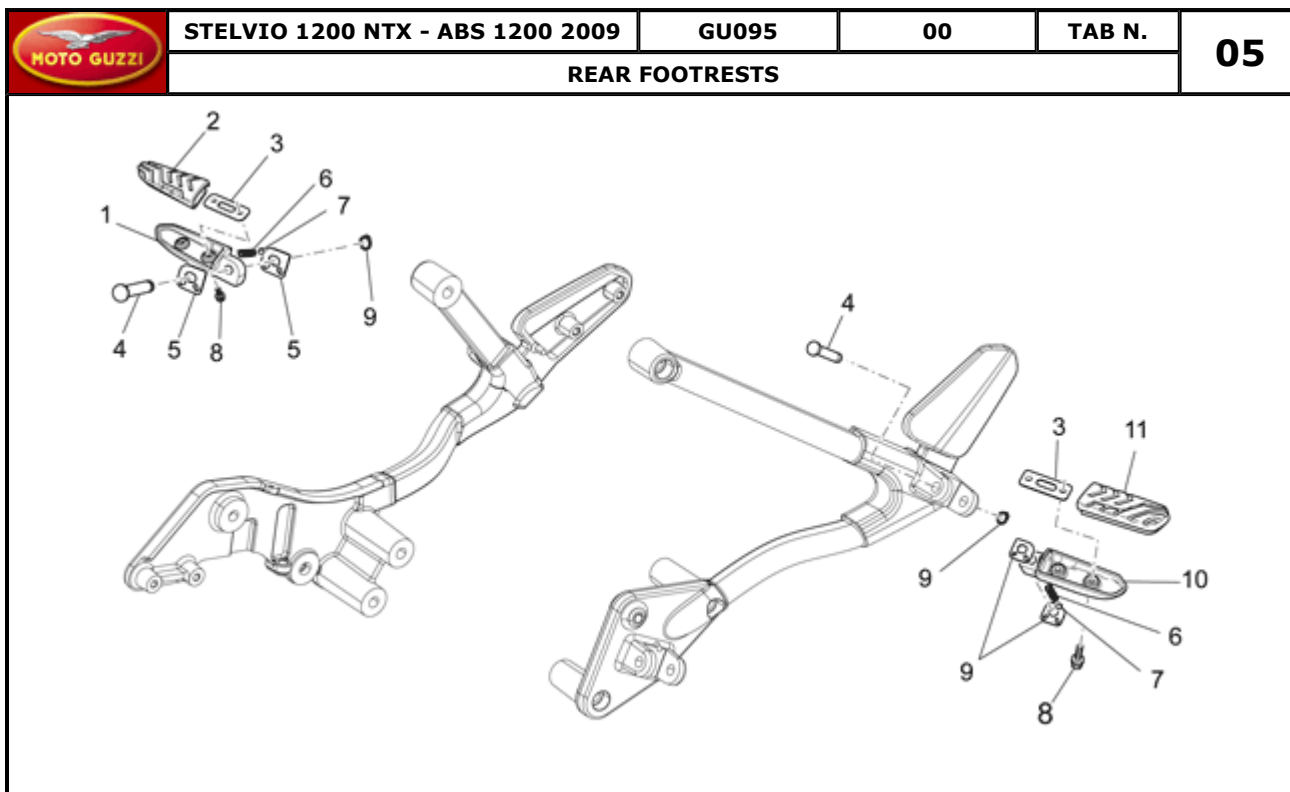


Pos.	Description	Year	I_M_	Country	Version	Code	Q.ty	P.Cod.
1	Central stand	-	-	-	-	883656	1	BG009
2	Support	-	-	-	-	AP8121467	2	BG019
3	Stand spring protection	-	-	-	-	AP8178918	1	-
4	Lateral stand spring	-	-	-	-	AP8221317	1	BG02K
5	Internal lateral stand spring	-	-	-	-	AP8221318	1	BG02J
6	RH plate	-	-	-	-	883664	1	BG079
7	LH plate	-	-	-	-	978002	1	BG079
8	Hex socket screw M10x30	-	-	-	-	GU98682530	2	-
9	Bush	-	-	-	-	GU05429630	2	-
10	Lateral stand	-	-	-	-	978012	1	BG049
11	Lateral stand switch	-	-	-	-	639542	1	CD149
12	Hex socket screw M5x16	-	-	-	-	GU98612216	2	-
13	Washer 5,3x8,9x2,4	-	-	-	-	GU95020105	2	-
14	Central stand fixing screw	-	-	-	-	AP8121994	1	BG019
15	Low nut M10x1,25*	-	-	-	-	AP8152001	1	-
16	Curved spring washer *	-	-	-	-	AP8150292	1	-
17	Stand spring protection	-	-	-	-	AP8102524	1	-
18	Lateral stand spring	-	-	-	-	AP8221204	1	BG02K
19	Internal lateral stand spring	-	-	-	-	AP8221211	1	BG02J
20	Hex socket screw M12x35	-	-	-	-	GU98231235	4	-
21	Washer 13x18x1,7	-	-	-	-	GU30217900	2	-
22	Cable-guide	-	-	-	-	AP8120428	1	-
23	Thermal sheath	-	-	-	-	GU00823923140	1	-
24	Screw w/ flange M8x25*	-	-	-	-	AP8152287	1	-
25	Washer 8,4X13X0,8	-	-	-	-	GU14615901	2	-
26	Screw	-	-	-	-	GU97202435	1	-
27	Self-locking nut M8*	-	-	-	-	AP8152300	1	-
28	Drift	-	-	-	-	GU93242015	1	BG039
29	Hose clamp 3,6x20,6	-	-	-	-	GU14609650	2	-

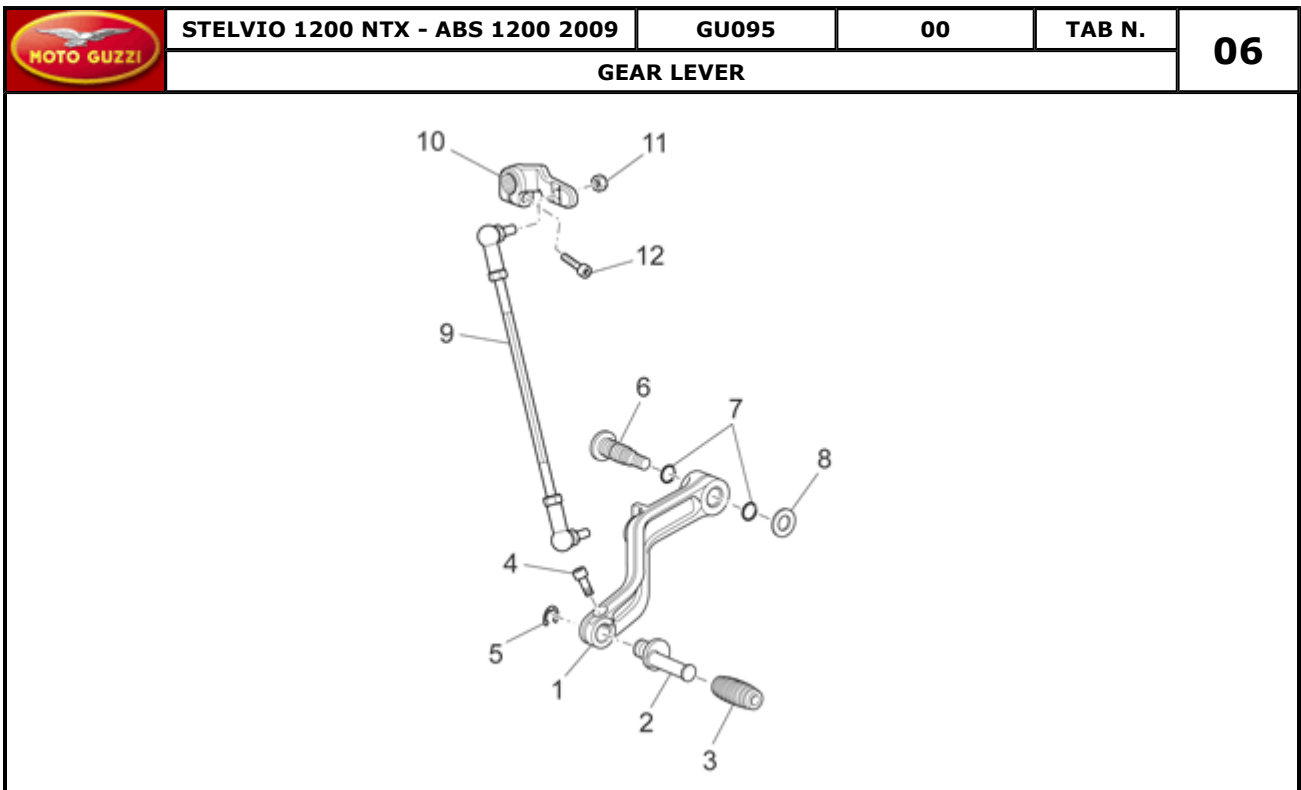
	STELVIO 1200 NTX - ABS 1200 2009	GU095	00	TAB N.	04
	FRONT FOOTRESTS				



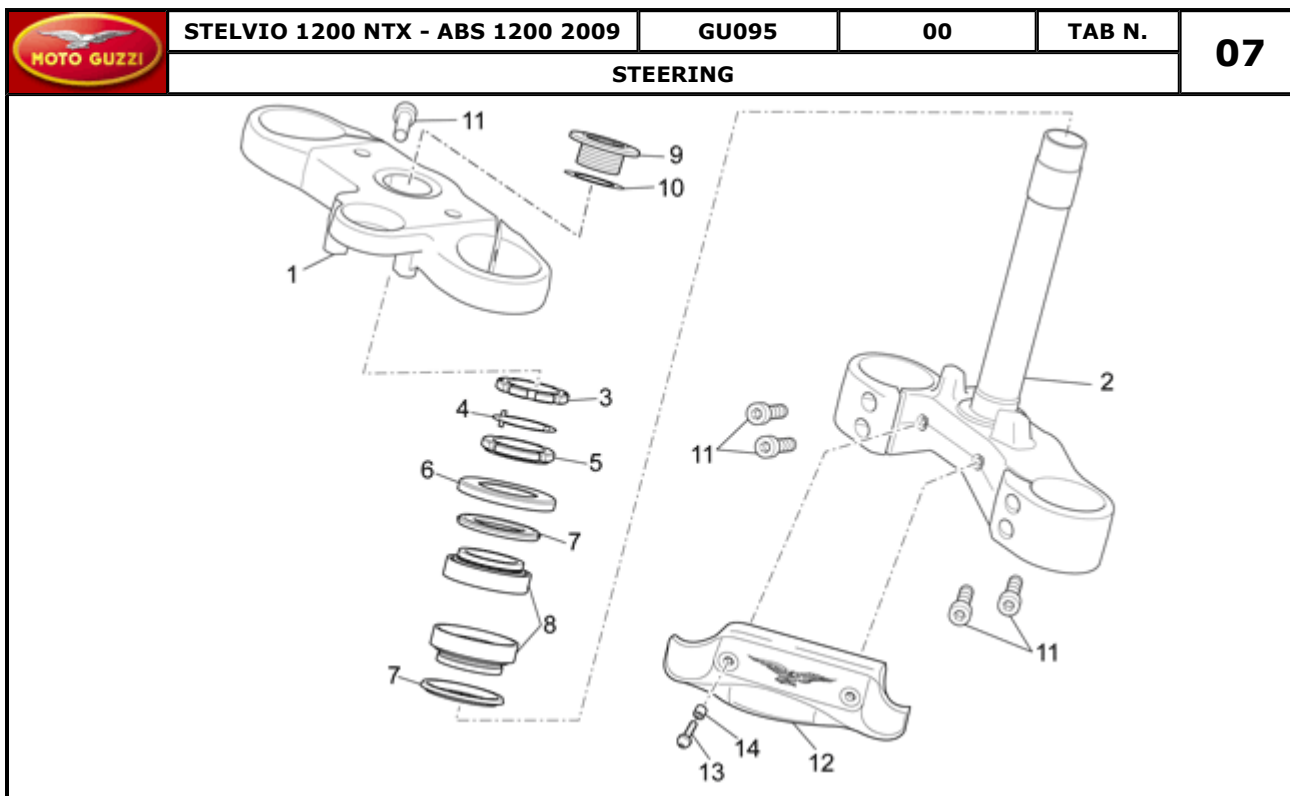
Pos.	Description	Year	I_M_	Country	Version	Code	Q.ty	P.Cod.
1	RH foot rest support	-	-	-	-	883102	1	BA17A
2	LH footrest support	-	-	-	-	883103	1	BA17B
3	RH Foot rests	-	-	-	-	AP8145034	1	BA05A
4	Support rubber part	-	-	-	-	GU32443210	1	BA24A
5	Plate	-	-	-	-	GU32441210	2	-
6	Footrest return spring	-	-	-	-	AP8221277	2	BA08*
7	Screw w/ flange M6x12*	-	-	-	-	AP8152277	4	-
8	Pin	-	-	-	-	AP8121567	2	-
9	Stop ring	-	-	-	-	AP8152409	2	-
10	LH Foot rests	-	-	-	-	AP8145035	1	BA05B
11	Support rubber part	-	-	-	-	GU32443211	1	BA24B
12	Hex socket screw M8x35	-	-	-	-	GU98680435	2	-
13	Self-locking nut M8*	-	-	-	-	AP8152300	2	-
14	Washer 8,4X13X0,8	-	-	-	-	GU14615901	7	-
15	Screw	-	-	-	-	GU98680480	1	-
16	Hex socket screw M8x25	-	-	-	-	GU98682425	1	-
17	Screw	-	-	-	-	GU98680465	1	-
18	Hex socket screw M8x60	-	-	-	-	GU98680460	1	-
19	Screw	-	-	-	-	GU98620485	1	-



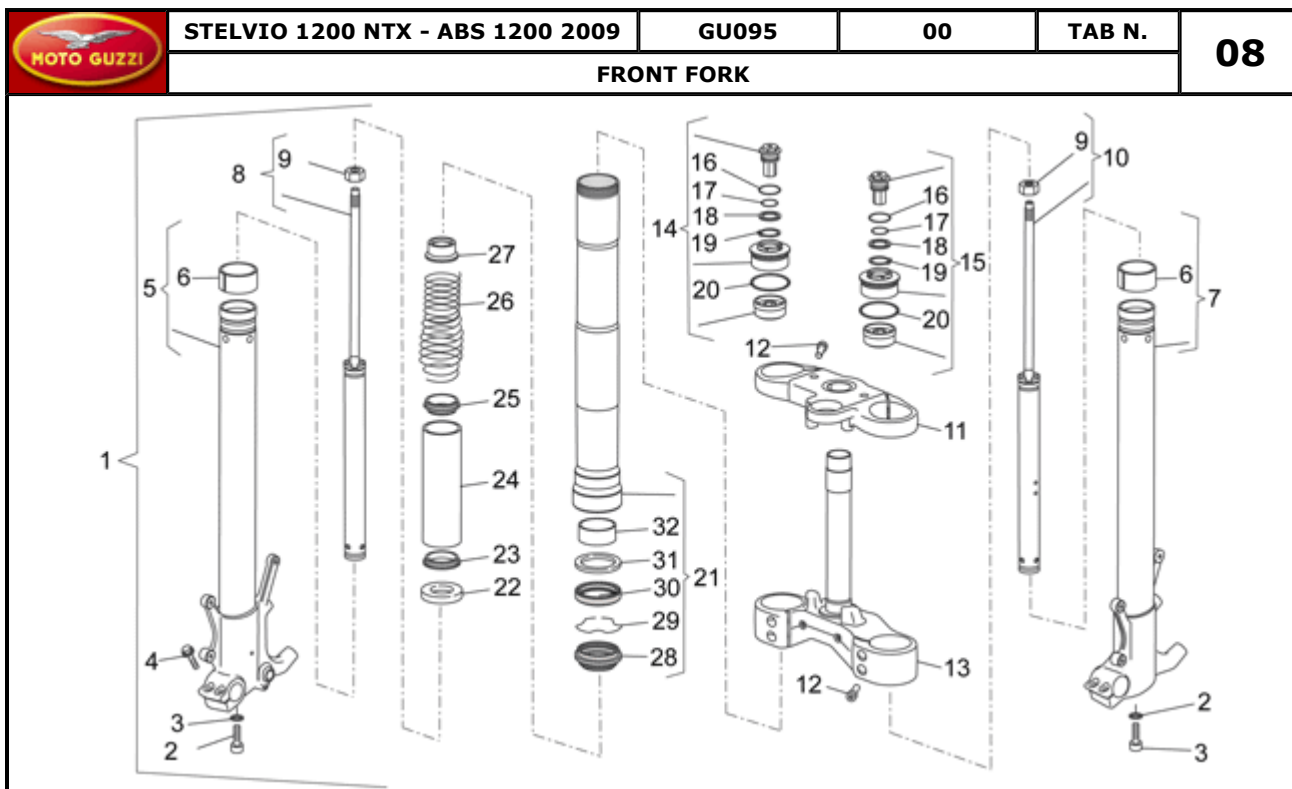
Pos.	Description	Year	I_M_	Country	Version	Code	Q.ty	P.Cod.
1	Rear footrest, RH	-	-	-	-	GU32442310	1	BA15A
2	Support rubber part	-	-	-	-	GU32443210	1	BA24A
3	Plate	-	-	-	-	GU32441210	2	-
4	Pin	-	-	-	-	AP8121567	2	-
5	Footrest plate	-	-	-	-	AP8134451	4	-
6	Coil compress. spring *	-	-	-	-	AP8121133	2	-
7	Ball D6,35	-	-	-	-	AP8101861	2	-
8	Screw w/ flange M6x12*	-	-	-	-	AP8152277	4	-
9	Stop ring	-	-	-	-	AP8152409	2	-
10	Rear footrest, LH	-	-	-	-	GU32442710	1	BA15B
11	Support rubber part	-	-	-	-	GU32443211	1	BA24B



Pos.	Description	Year	I_M	Country	Version	Code	Q.ty	P.Cod.
1	Gear lever	-	-	-	-	GU06250900	1	BA109
2	Brake lever pin	-	-	-	-	AP8121221	1	-
3	Lever rubber	-	-	-	-	AP8120912	1	BA149
4	Hex socket screw M6x16	-	-	-	-	GU98682316	1	-
5	Circlip d9	-	-	-	-	AP8150462	1	-
6	Rear brake lever pin	-	-	-	-	AP8121223	1	-
7	O-ring 11,11x1,78	-	-	-	-	AP8144007	2	-
8	Washer 10,2X18X2	-	-	-	-	GU95008210	1	-
9	Change gear tie rod compl.	-	-	-	-	883044	1	BA129
10	Lever	-	-	-	-	GU05256930	1	BA119
11	Nut M6X1	-	-	-	-	GU92630707	2	-
12	Hex socket screw M6x20	-	-	-	-	GU98682320	1	-


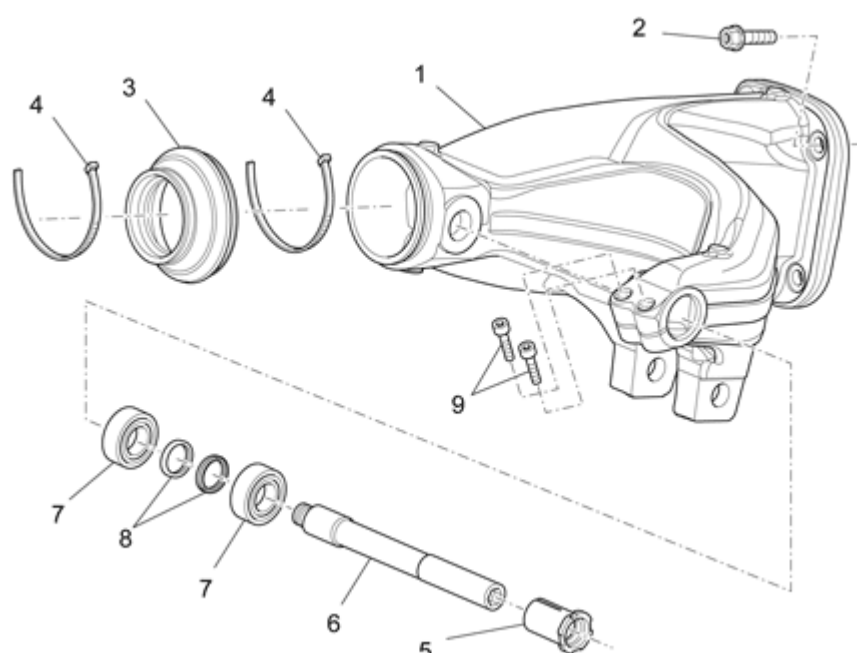



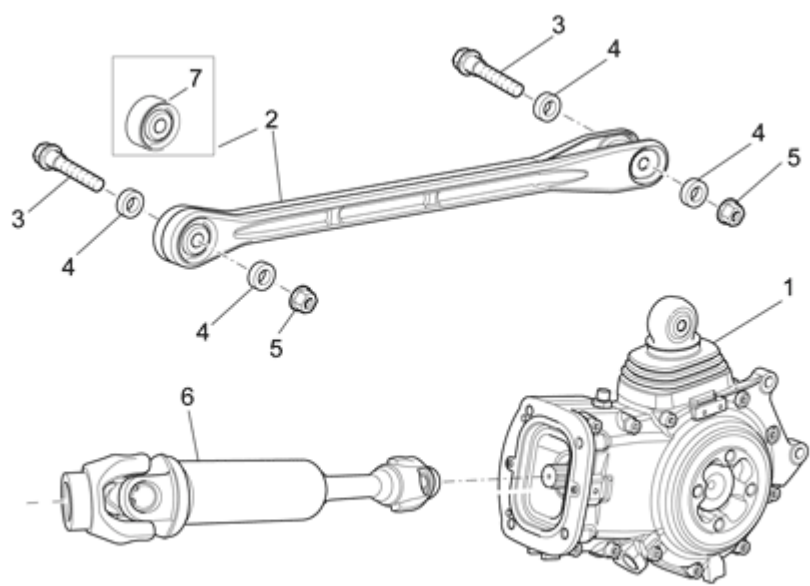
Pos.	Description	Year	I_M	Country	Version	Code	Q.ty	P.Cod.
1	Fork upper plate	-	-	-	-	978016	1	BD119
2	Stem base	-	-	-	-	978018	1	BD019
3	Return ring nut	-	-	-	-	AP8123643	1	BA049
4	Steering security plate	-	-	-	-	AP8121207	1	-
5	Ring nut	-	-	-	-	AP8123642	1	BA049
6	Dust cover ring	-	-	-	-	AP8123644	1	-
7	Dust cover ring	-	-	-	-	AP8123641	2	-
8	Axial ball bearing	-	-	-	-	AP8110077	2	BA039
9	Upper plate fixing bush	-	-	-	-	AP8121205	1	-
10	Stem plug washer	-	-	-	-	AP8152384	1	-
11	Hex socket screw M8x30	-	-	-	-	GU98682430	6	-
12	Brake hose fixing plate	-	-	-	-	GU05658431	1	BD329
13	Screw w/ flange M5x16	-	-	-	-	AP8152298	2	-
14	Bush 5,3x8x7,1	-	-	-	-	AP8221036	2	-




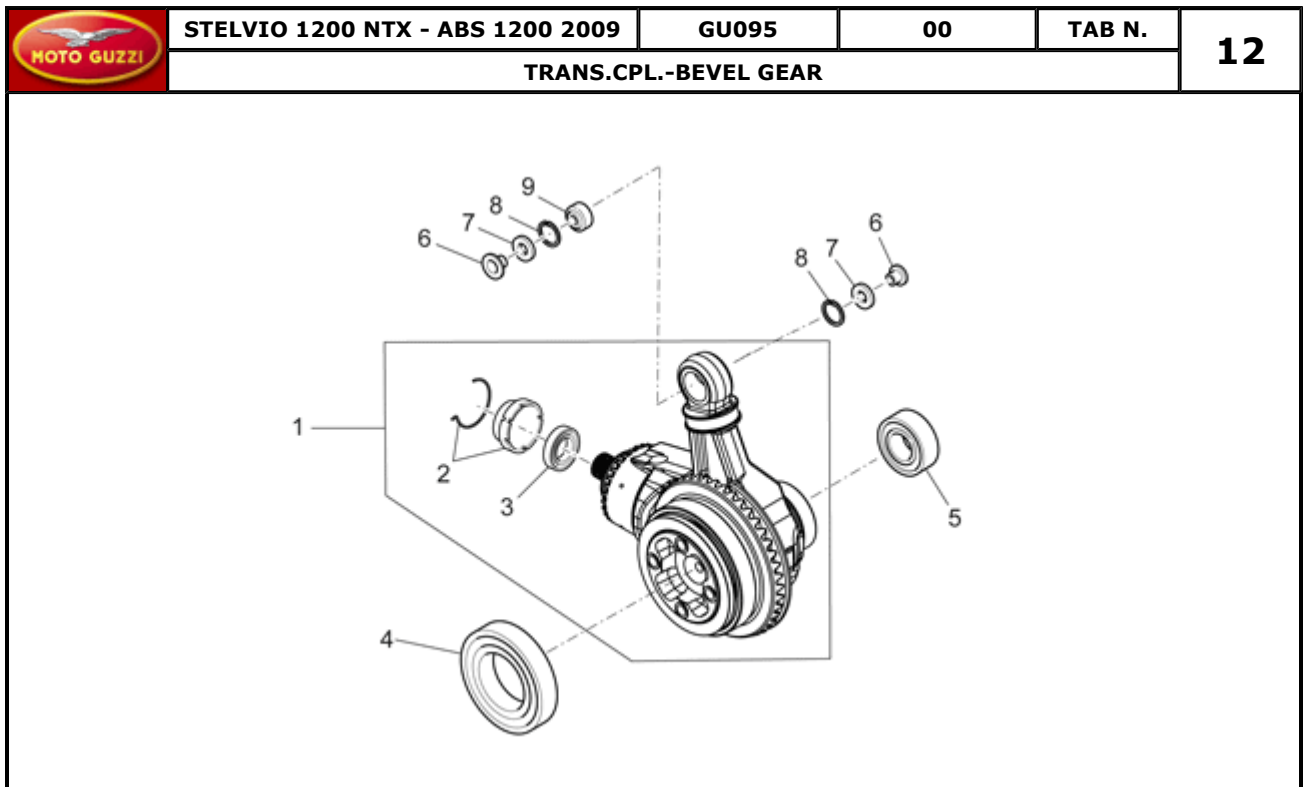
Pos.	Description	Year	I_M_	Country	Version	Code	Q.ty	P.Cod.
1	Front fork assy	-	-	-	std	978794	1	BD009
	Front fork assy	-	-	-	ntx	978034	1	BD009
2	Screw	-	-	-	-	GU01530588	2	-
3	Washer	-	-	-	-	GU03530529	2	-
4	Screw w/ flange	-	-	-	-	981021	4	-
5	Hub+RH fork leg	-	-	-	-	981022	1	BD03A
6	Bush	-	-	-	-	981023	2	BD10*
7	Hub+LH fork leg	-	-	-	-	981029	1	BD03B
8	RH plunger, complete	-	-	-	ntx	981031	1	BD06*
	RH plunger, complete	-	-	-	std	981130	1	BD06*
9	Nut	-	-	-	-	GU01530589	2	-
10	LH plunger, complete	-	-	-	ntx	981032	1	BD06*
	LH plunger, complete	-	-	-	std	981131	1	BD06*
11	Fork upper plate	-	-	-	ntx	978016	1	BD119
12	Hex socket screw M8x30	-	-	-	ntx	GU98682430	6	-
13	Stem base	-	-	-	ntx	978018	1	BD019
14	RH sleeve plug	-	-	-	ntx	981045	1	BD15*
	Sleeve plug	-	-	-	std	981132	1	BD15*
15	Sleeve plug	-	-	-	std	981132	1	BD15*
	LH sleeve plug	-	-	-	ntx	981028	1	BD15*
16	O-ring	-	-	-	ntx	981024	2	BD15*
17	O-ring	-	-	-	ntx	981025	2	BD15*
18	Washer	-	-	-	ntx	981026	2	BD15*
19	Stop ring	-	-	-	ntx	981027	2	BD15*
20	O-ring	-	-	-	-	978019	2	BD15*
21	Sleeve cpl.	-	-	-	ntx	981044	2	BD09*
22	Spring seat	-	-	-	-	981033	2	-
23	Spring guide	-	-	-	-	981034	2	-
24	Preload tube	-	-	-	ntx	981035	2	BD33*
	Preload tube	-	-	-	std	981133	2	BD33*
25	Spring guide	-	-	-	-	981036	2	-
26	Spring	-	-	-	-	981037	2	BD07*
27	Bush	-	-	-	ntx	981038	2	-

	Bush	-	-	-	std	-	981134	2	-
28	Dust cover	-	-	-	-	-	981039	2	BD05*
29	Stop ring	-	-	-	-	-	981040	2	-
30	Gasket ring 50x63x11	-	-	-	-	-	981041	2	BD04*
31	Cup	-	-	-	-	-	981042	2	-
32	Bush	-	-	-	-	-	981043	2	BD10*

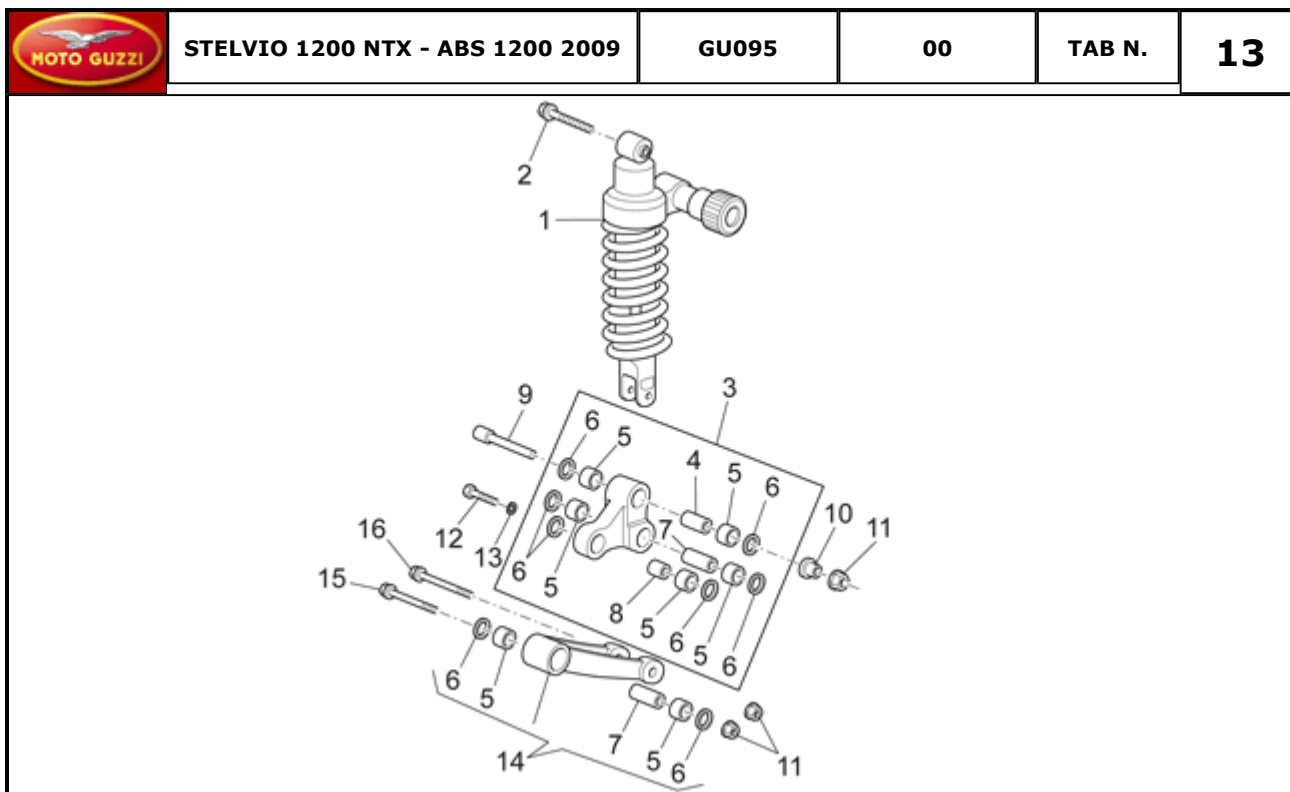
		STELVIO 1200 NTX - ABS 1200 2009	GU095	00	TAB N.	09		
SWING ARM								
								
Pos.	Description	Year	I_M	Country	Version	Code	Q.ty	P.Cod.
1	Swing arm, black	-	-	-	-	978350	1	BE009
2	Screw w/ flange M10x35	-	-	-	-	AP8152318	4	-
3	Rubber bellows	-	-	-	-	GU05548030	1	AH289
4	Hose clamp 3,6x375	-	-	-	-	GU93304390	2	-
5	Bush	-	-	-	-	GU05547130	1	BE079
6	Pin	-	-	-	-	GU05547030	1	BE019
7	Roller bearing 25x47x17	-	-	-	-	GU92249224	2	BE069
8	Gasket ring	-	-	-	-	GU05547930	2	-
9	Hex socket screw M6x25	-	-	-	-	GU98682325	2	-

		STELVIO 1200 NTX - ABS 1200 2009	GU095	00	TAB N.	10		
TRANSMISSION COMPLETE								
								
Pos.	Description	Year	I_M_	Country	Version	Code	Q.ty	P.Cod.
1	Transmission complete black	-	-	-	-	976570	1	AG219
2	Reaction rod assy.	-	-	-	-	883046	1	AG239
3	Screw w/ flange M10x55	-	-	-	-	AP8152410	2	AG379
4	Spacer 10,2x20x4	-	-	-	-	AP8121218	3	-
5	Nut M10	-	-	-	-	AP8152242	2	-
6	Drive shaft	-	-	-	-	GU05326330	1	AG199
7	Silent-block	-	-	-	-	883045	1	-


		STELVIO 1200 NTX - ABS 1200 2009	GU095	00	TAB N.	11		
Pos.	Description	Year	I_M	Country	Version	Code	Q.ty	P.Cod.
1	Upper dust cover	-	-	-	-	GU05358330	1	AG399
2	Oil plug M12x1,5	-	-	-	-	GU05351230	1	AH119
3	Washer	-	-	-	-	GU90718120	1	-
4	Pin 6x20	-	-	-	-	GU95510620	2	-
5	Hose clamp	-	-	-	-	GU05358130	2	-
6	Upper dust cover	-	-	-	-	GU05358030	1	AG399
7	Hose clamp	-	-	-	-	GU05358230	1	-
8	Gasket 10x18x1,5	-	-	-	-	GU01528930	1	-
9	Oil unload plug M10X1	-	-	-	-	GU31003766	1	-
10	Gasket ring 85x110x8BASL	-	-	-	-	GU90408511	1	AO369
11	Hex socket screw M8x50	-	-	-	-	GU98680450	11	-
12	Breather plug	-	-	-	-	GU05206530	1	-
13	Gasket	-	-	-	-	GU10528900	1	-
14	Screw M3,9x6,5	-	-	-	-	GU99210406	2	-
15	Ring	-	-	-	-	GU05358530	1	-
16	Gasket	-	-	-	-	GU05358630	1	AO439

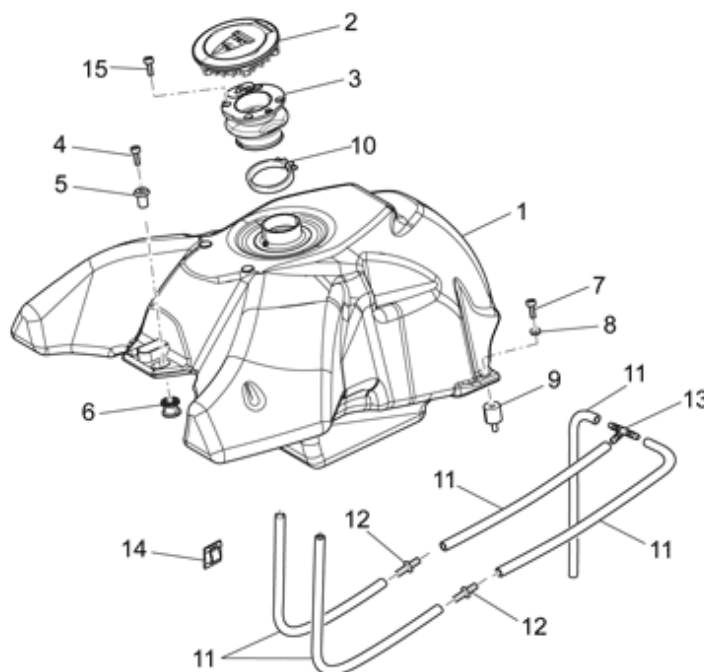


Pos.	Description	Year	I_M_	Country	Version	Code	Q.ty	P.Cod.
1	Bevel gear kit 12/44	-	-	-	-	976581	1	AG189
2	Ring nut	-	-	-	-	GU05352430	1	-
3	Gasket ring 45x58x7	-	-	-	-	GU90404558	1	AO389
4	Ball bearing 85x120x18	-	-	-	-	GU92208518	1	AI269
5	Ball bearing 30x62x16	-	-	-	-	GU92204230	1	AI269
6	Bush	-	-	-	-	AP8121098	2	AG379
7	Gasket ring	-	-	-	-	AP8120485	2	AG379
8	Circlip	-	-	-	-	GU90273026	2	AG379
9	Ball joint	-	-	-	-	GU05638130	1	AG379


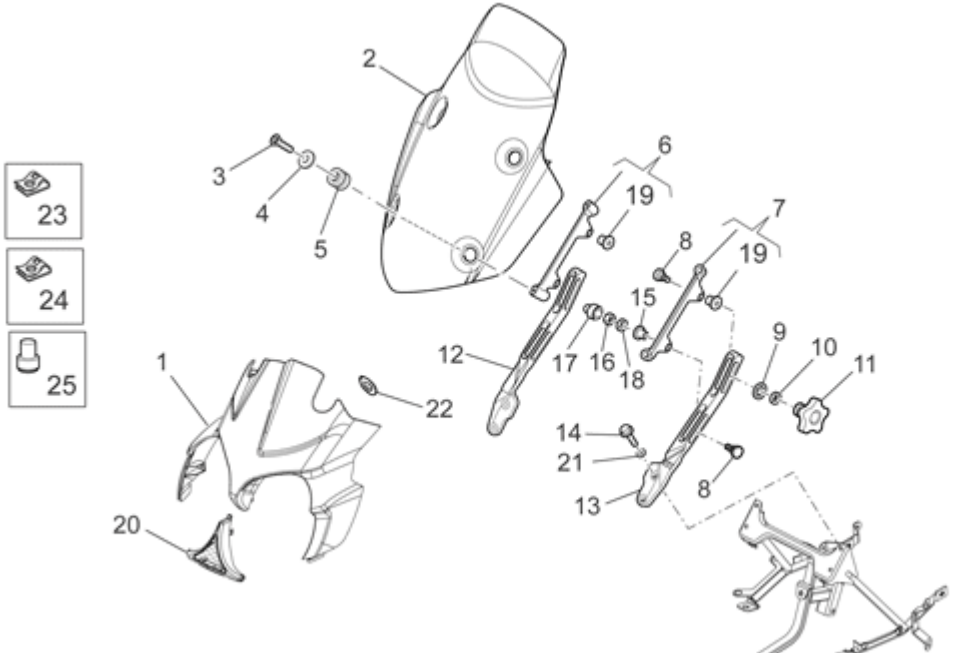


Pos.	Description	Year	I_M	Country	Version	Code	Q.ty	P.Cod.
1	Shock absorber	-	-	-	-	978006	1	BF009
2	Screw w/ flange M10x80	-	-	-	-	AP8152398	1	-
3	Double conrod	-	-	-	-	GU05560330	1	BF099
4	Double connecting rod pin L40	-	-	-	-	AP8135924	1	BF109
5	Needle bearing	-	-	-	-	AP8110066	7	BF119
6	Oil seal D18x24x3	-	-	-	-	AP8110068	8	-
7	Double connecting rod pin L47	-	-	-	-	GU05562030	2	BF109
8	Double connecting rod pin L25	-	-	-	-	AP8135608	1	BF109
9	Hex socket screw M10x82	-	-	-	-	AP8152397	1	-
10	T bush *	-	-	-	-	AP8121155	1	-
11	Self-locking nut M10*	-	-	-	-	AP8152301	3	-
12	Hex screw M10x47	-	-	-	-	AP8152147	1	BF029
13	Curved spring washer *	-	-	-	-	AP8150292	1	-
14	Single conrod comp.	-	-	-	-	GU05562430	1	BF089
15	Screw w/ flange M10x85	-	-	-	-	AP8152482	1	-
16	Screw w/ flange M10x95	-	-	-	-	AP8152396	1	-

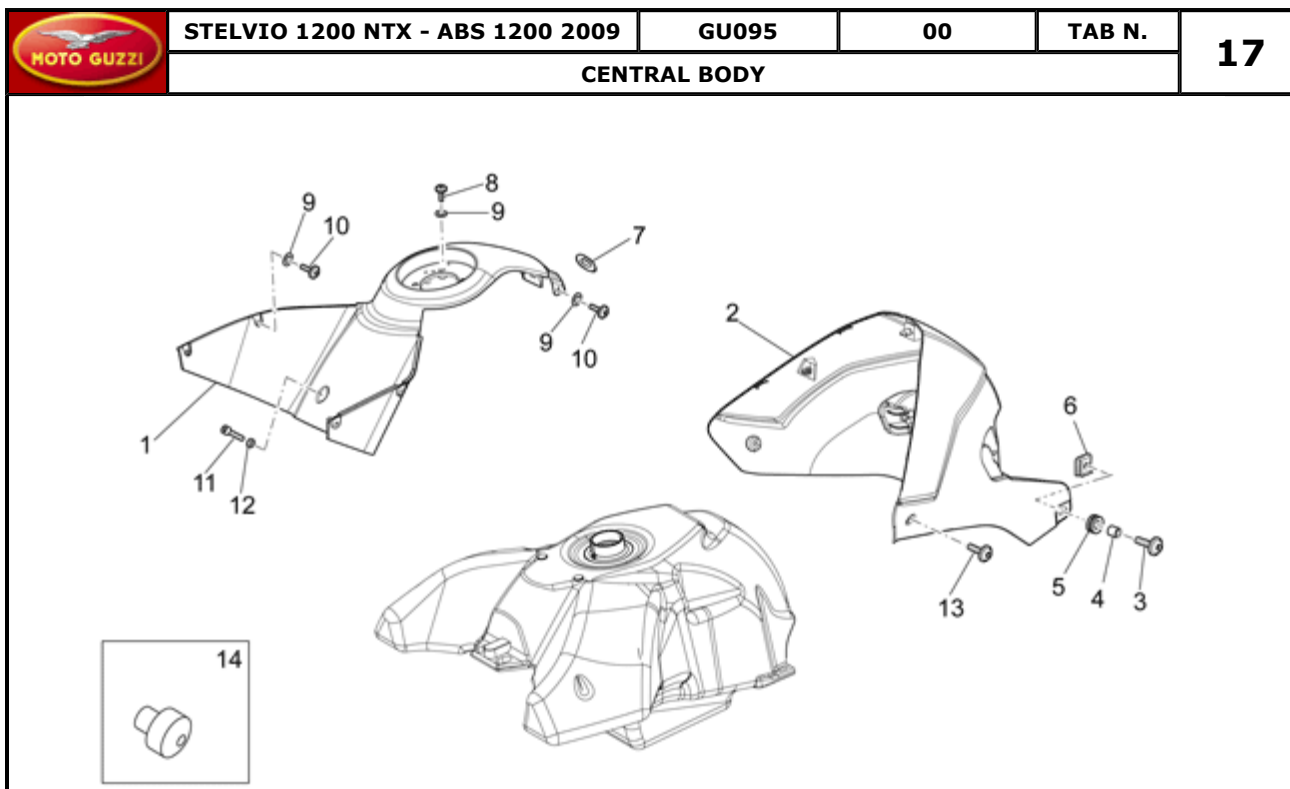
	STELVIO 1200 NTX - ABS 1200 2009	GU095	00	TAB N.	14
	FUEL TANK				



Pos.	Description	Year	I_M_	Country	Version	Code	Q.ty	P.Cod.
1	Fuel tank	-	-	-	-	883683	1	DA009
2	Tank cap	-	-	-	-	GU05103930	1	DA029
3	Bellows	-	-	-	-	978642	1	DA169
4	Hex socket screw M6X40	-	-	-	-	GU98680340	2	-
5	Fuel tank bush	-	-	-	-	GU06107100	2	-
6	Rubber spacer	-	-	-	-	AP8144328	2	-
7	Screw w/ flange M6x20	-	-	-	-	AP8152279	2	-
8	Washer 6,4x12x1,2	-	-	-	-	GU95100141	2	-
9	Silent-block	-	-	-	-	GU93222023	2	-
10	Hose clamp 33x53x8	-	-	-	-	GU93306020	1	-
11	Breather pipe 4x8	-	-	-	-	AP8220263	5	GA239
12	Union	-	-	-	-	GU06704700	2	-
13	3-way union	-	-	-	-	AP8104666	1	DA319
14	Cable-guide	-	-	-	-	AP8120708	8	-
15	Hex socket screw M5x16	-	-	-	-	GU98692216	4	-

		STELVIO 1200 NTX - ABS 1200 2009	GU095	00	TAB N.	15		
FRONT BODY - FRONT FAIRING								
								
Pos.	Description	Year	I_M	Country	Version	Code	Q.ty	P.Cod.
1	Windshield, grey	-	-	-	-	97841800Y11	1	DD149
	Headlight windshield blank	-	-	-	-	978418	1	DD149
2	Windscreen	-	-	-	-	978423	1	DD139
3	Screw TSPEI M6X18	-	-	-	-	GU98257618	4	-
4	Special washer	-	-	-	-	269787	4	-
5	Rubber spacer	-	-	-	-	560173	4	-
6	RH support	-	-	-	-	977583	1	DD139
7	LH support	-	-	-	-	977584	1	DD139
8	Special screw	-	-	-	-	977600	4	-
9	Washer 8,4x18x2	-	-	-	-	GU95005310	2	-
10	Washer 8,4X13X0,8	-	-	-	-	GU14615901	2	-
11	Knob	-	-	-	-	977681	2	-
12	RH clamp	-	-	-	-	977596	1	DD139
13	LH clamp	-	-	-	-	977597	1	DD139
14	Screw w/ flange M6x16*	-	-	-	-	AP8152278	4	-
15	T bush 8,2x10,2x11,6	-	-	-	-	977698	2	-
16	Nut M8	-	-	-	-	GU92640708	2	-
17	Black plug	-	-	-	-	978170	2	-
18	Washer 8,4x15	-	-	-	-	GU03270300	2	-
19	T bush 8,2x10,2x4	-	-	-	-	977699	4	-
20	Light frame, black	-	-	-	-	883069	1	-
21	Washer 6,4x10x0,7	-	-	-	-	GU14217901	4	-
22	Rubber spacer	-	-	-	-	463195	2	-
23	Clip M5	-	-	-	-	AP8102375	2	-
24	Clip M4	-	-	-	-	AP8102381	5	-
25	Plug	-	-	-	-	AP8120876	1	-

MOTO GUZZI		STELVIO 1200 NTX - ABS 1200 2009	GU095	00	TAB N.	16			
FRONT BODY - DUCT									
Pos.	Description	Year	I_M_	Country	Version	Code	Q.ty	P.Cod.	
1	RH lat.fairing, red	-	-	-	-	r/red	88307000Y01	1	DD15A
	RH lat.fairing, black	-	-	-	-	bl	88307000Y02	1	DD15A
	RH lat.fairing, bronze	-	-	-	-	bron	88307000YG2	1	DD15A
	RH side fairing, white	-	-	-	-	wh	88307000BM	1	DD15A
2	RH baffle	-	-	-	-	-	978687	1	DD42A
3	Self-tap screw 3,9x14	-	-	-	-	-	AP8150413	10	-
4	RH air duct Technogrey	-	-	-	-	bron	88307400Y11	1	DD01A
	RH air duct Silver	-	-	-	-	bl-r/red-wh	88307400Y10	1	DD01A
5	Glove compartment	-	-	-	-	-	978431	1	DD489
6	Gasket	-	-	-	-	-	883140	1	-
7	RH lat. inspection cover, white	-	-	-	-	wh	88307800BM	1	DD499
	RH lat. inspection cover, red	-	-	-	-	r/red	88307800Y01	1	DD499
	RH lat.inspection cover, black	-	-	-	-	bl	88307800Y02	1	DD499
	RH side cover Technogr	-	-	-	-	bron	88307800Y11	1	DD499
8	Plate	-	-	-	-	-	978641	1	-
9	Low.fairing, black	-	-	-	-	-	978640	1	DD439
10	Screw M5x15	-	-	-	-	-	GU98710215	4	-
11	Nylon washer	-	-	-	-	-	GU01577830	4	-
12	LH side fairing, white	-	-	-	-	wh	88307100BM	1	DD15B
	LH lat.fairing, red	-	-	-	-	r/red	88307100Y01	1	DD15B
	LH lat.fairing, black	-	-	-	-	bl	88307100Y02	1	DD15B
	LH lat.fairing, bronze	-	-	-	-	bron	88307100YG2	1	DD15B
13	LH baffle	-	-	-	-	-	978688	1	DD42B
14	LH air duct Silver	-	-	-	-	bl-r/red-wh	88307300Y10	1	DD01B
	LH air duct Technogrey	-	-	-	-	bron	88307300Y11	1	DD01B
15	Clip M5	-	-	-	-	-	AP8102375	10	-
16	Rubber spacer	-	-	-	-	-	978152	8	-
17	Spacer 6,25x8x5	-	-	-	-	-	GU91180600	8	-
18	Screw w/ flange M5x12	-	-	-	-	-	AP8152302	6	-
19	Gasket	-	-	-	-	-	GU00823931055	2	-
20	Adhesive sponge	-	-	-	-	-	AP8117200	2	-
21	Hex socket screw M4x12	-	-	-	-	-	GU98370412	6	-
22	Clip M4	-	-	-	-	-	AP8102381	12	-
23	Rubber spacer	-	-	-	-	-	463195	2	-
24	Nylon washer	-	-	-	-	-	AP8144565	10	-



Pos.	Description	Year	I_M_	Country	Version	Code	Q.ty	P.Cod.
1	Cover stopper tank white	-	-	-	-	wh 97841900BM	1	DD189
	Cover stopper tank red	-	-	-	-	r/red 97841900Y01	1	DD189
	Cover stopper tank black	-	-	-	-	bl 97841900Y02	1	DD189
	Cover tank bronze	-	-	-	-	bron 97841900YG2	1	DD189
	Cover stopper tank blank	-	-	-	-	978419	1	DD189
2	Cover tank grey	-	-	-	-	97863400Y11	1	DD189
3	Screw w/ flange M5x12	-	-	-	-	AP8152302	2	-
4	Spacer 6,25x8x5	-	-	-	-	GU91180600	2	-
5	Rubber spacer	-	-	-	-	978152	2	-
6	Clip M5	-	-	-	-	AP8102375	2	-
7	Rubber spacer	-	-	-	-	463195	1	-
8	Hex socket screw M4x16	-	-	-	-	AP8150493	4	-
9	Nylon washer	-	-	-	-	AP8144565	10	-
10	Hex socket screw M4x12	-	-	-	-	GU98370412	6	-
11	Hex socket screw M5x12	-	-	-	-	GU98682212	1	-
12	Washer 5,3x10x0,8	-	-	-	-	GU95008205	1	-
13	Screw w/ flange M5x9	-	-	-	-	AP8152339	4	-
14	Rubber spacer	-	-	-	-	AP8144081	1	-



STELVIO 1200 NTX - ABS 1200 2009

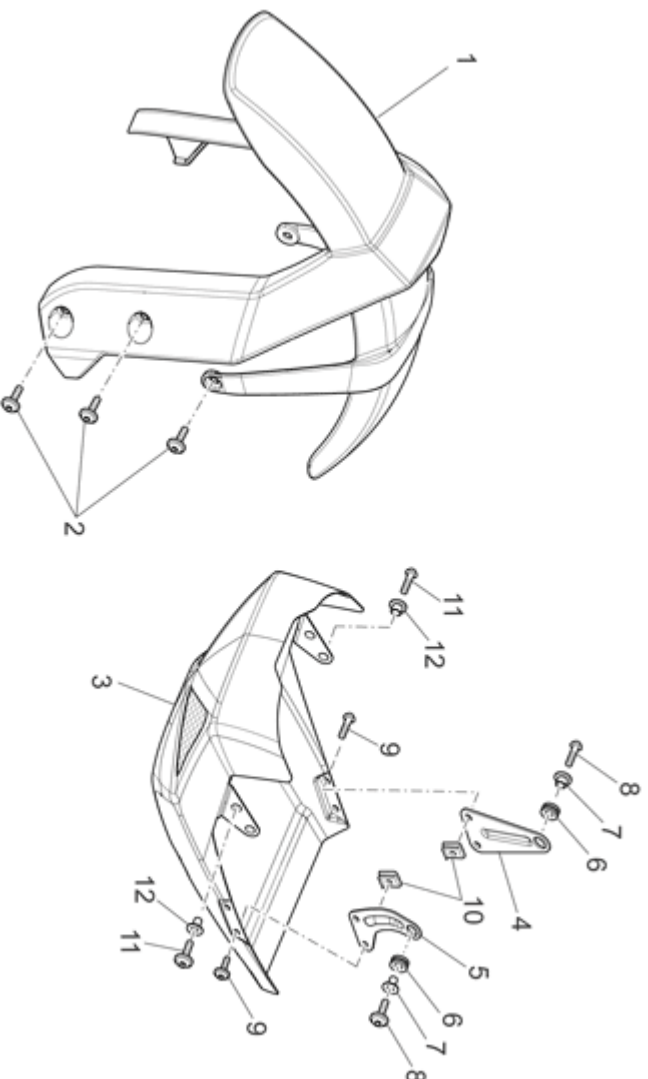
GU095

00

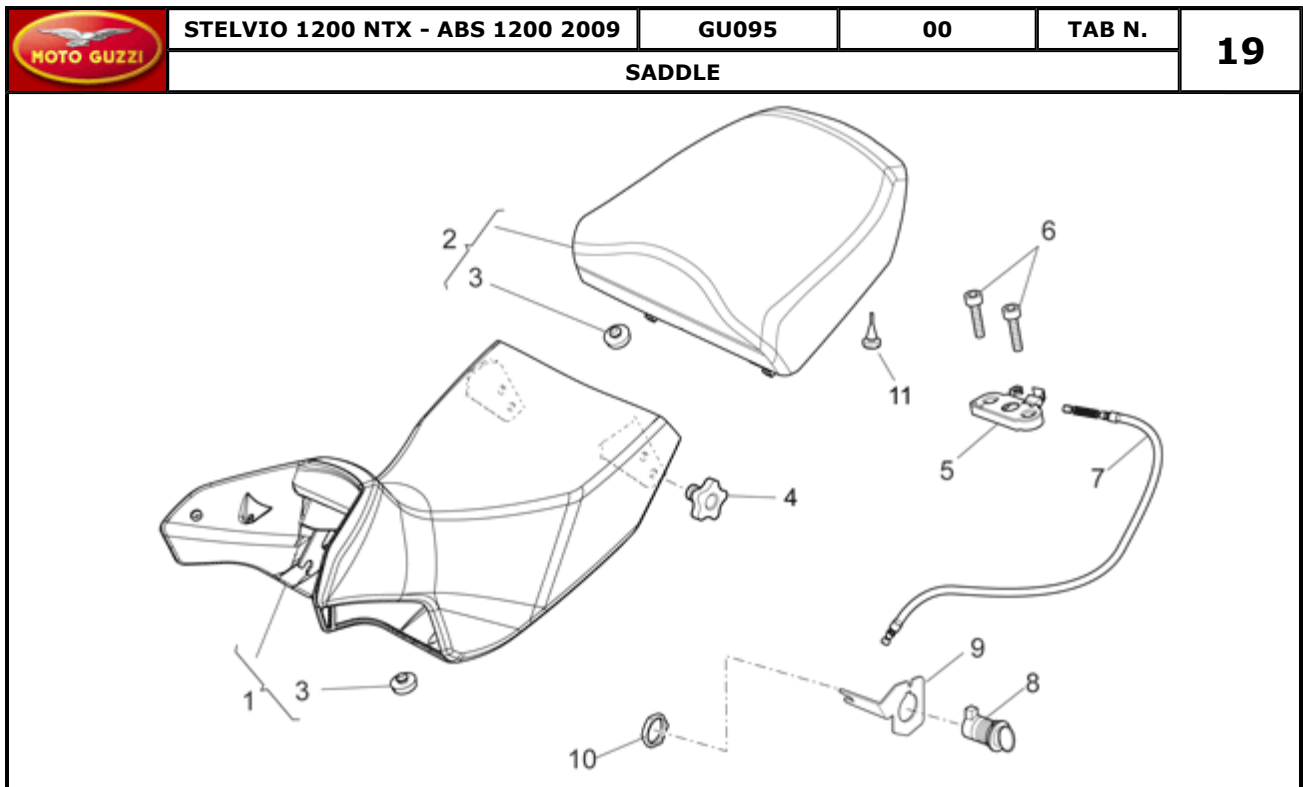
TAB N.

18


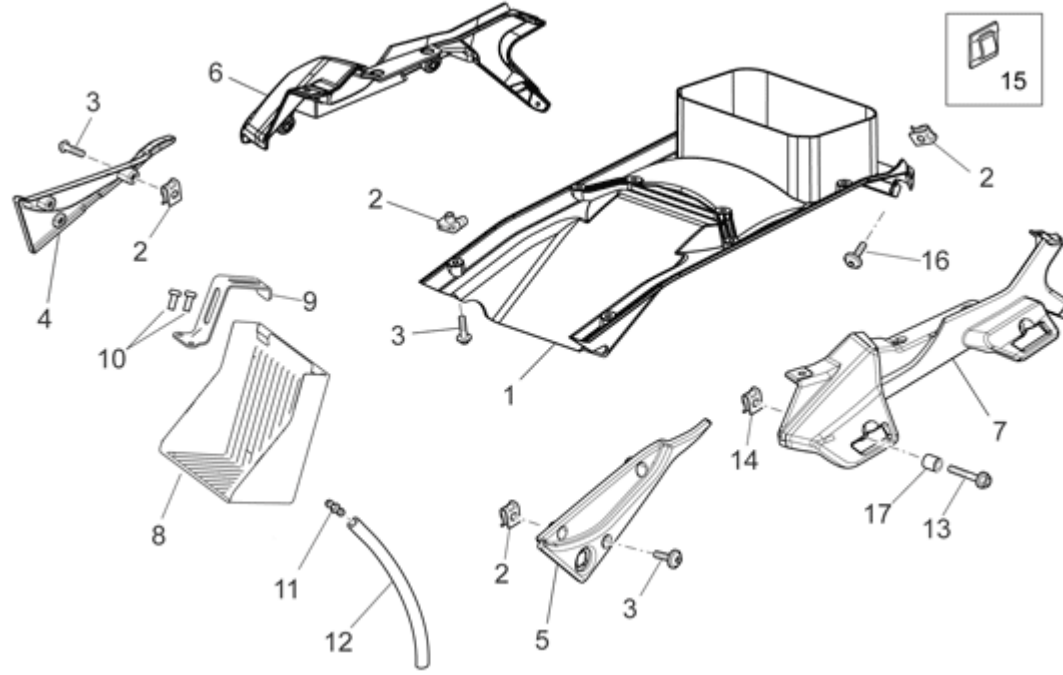
FRONT MUD.-PILLAR



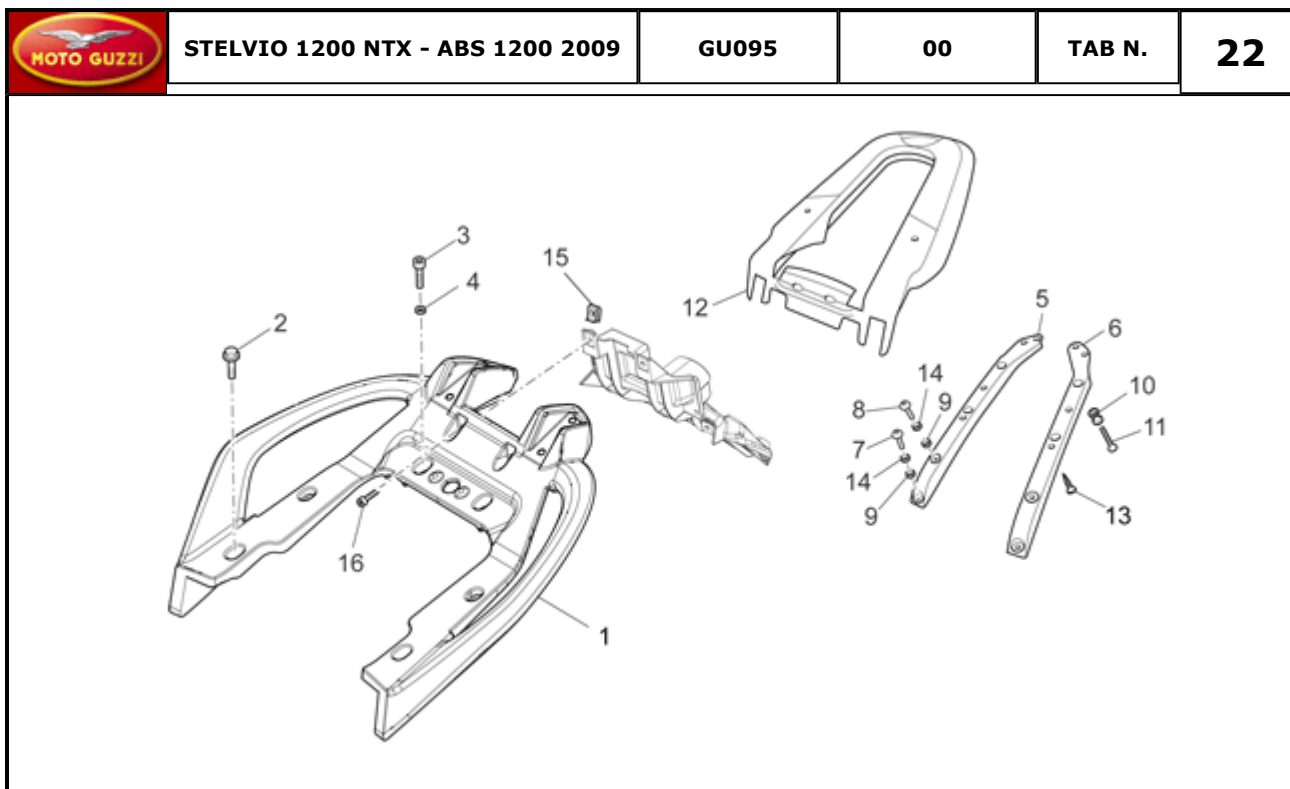
Pos.	Description	Year	I_M	Country	Version	Code	Q.ty	P.Cod.
1	Front mudguard, white/grey	-	-	-	wh	978444500BM	1	DD049
	Front mudguard, red/grey	-	-	-	r/red	978444500Y01	1	DD049
	Front mudguard, black/grey	-	-	-	bl	978444500Y02	1	DD049
	Front mudguard bronze	-	-	-	bron	978444500YG2	1	DD049
	Front mudguard blank	-	-	-	-	9784445	1	DD049
2	Screw w/ flange M5x9	-	-	-	-	AP8152339	6	-
3	Pillar, black	-	-	-	-	97885300Y10	1	DD169
4	RH clamp	-	-	-	-	978777	1	DD169
5	LH clamp	-	-	-	-	978776	1	DD169
6	Rubber spacer	-	-	-	-	GU91551010	2	-
7	T bush 8,5x10,7x12	-	-	-	-	AP8221128	2	-
8	Hex socket screw M8x25	-	-	-	-	GU98350425	2	-
9	Screw w/ flange M5x9	-	-	-	-	AP8152339	4	-
10	Clip M5	-	-	-	-	AP8102375	4	-
11	Hex socket screw M8x16	-	-	-	-	GU98350416	4	-
12	T bush 8,2x12x4	-	-	-	-	AP8121096	4	-




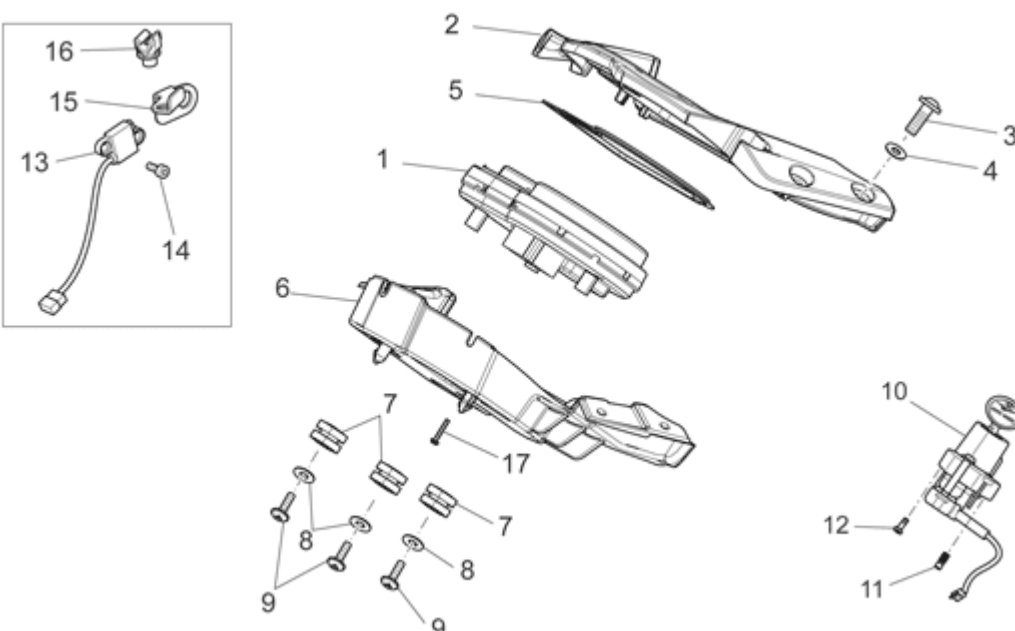
Pos.	Description	Year	I_M	Country	Version	Code	Q.ty	P.Cod.
1	Driver saddle	-	-	-	-	978453	1	DG009
2	Rear saddle	-	-	-	-	978454	1	DG009
3	Rubber spacer	-	-	-	-	GU32461610	9	-
4	Knob	-	-	-	-	883054	2	-
5	Pass.saddle connecting plate	-	-	-	-	AP8102913	1	DG019
6	Hex socket screw M6X25	-	-	-	-	GU98370625	2	-
7	Saddle release cable	-	-	-	-	883048	1	HA069
8	Saddle lock	-	-	-	-	GU05466830	1	DH039
9	Plate	-	-	-	-	AP8134948	1	-
10	Lock nut	-	-	-	-	AP8102523	1	-
11	Drift	-	-	-	-	GU19705900	2	-

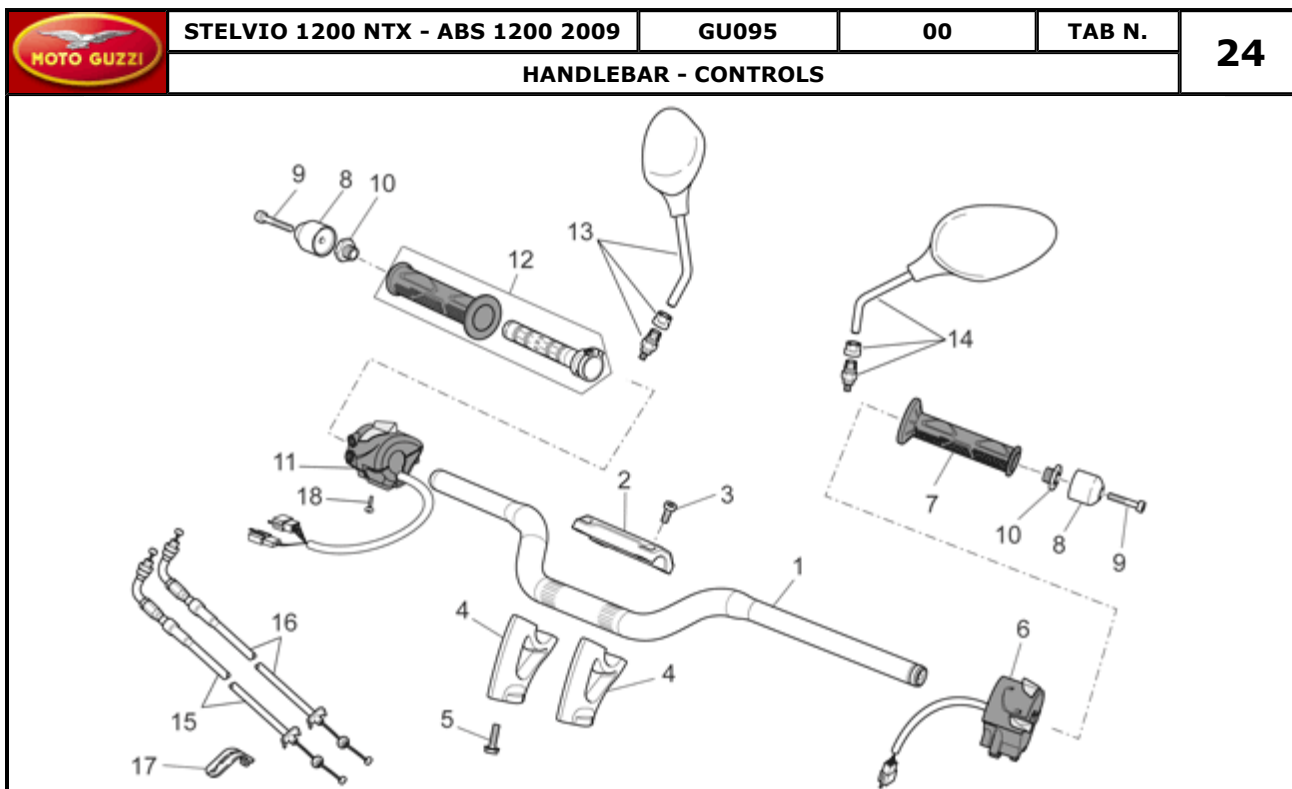
		STELVIO 1200 NTX - ABS 1200 2009	GU095	00	TAB N.	20		
REAR BODY I								
								
Pos.	Description	Year	I_M_	Country	Version	Code	Q.ty	P.Cod.
1	Splash guard	-	-	-	-	978446	1	DD459
2	Clip M5	-	-	-	-	AP8102375	12	-
3	Screw w/ flange M5x9	-	-	-	-	AP8152339	10	-
4	RH side panel	-	-	-	-	883024	1	DD17A
5	LH side panel	-	-	-	-	883023	1	DD17B
6	RH support	-	-	-	-	97863800Y10	1	DG20A
7	LH support	-	-	-	-	97863900Y10	1	DG20B
8	Battery holder	-	-	-	-	883617	1	DD249
9	Battery fixing plate	-	-	-	-	883618	1	CC069
10	Screw TBCT M6X16	-	-	-	-	AP8150377	2	-
11	Union	-	-	-	-	GU06704700	1	-
12	Breather pipe 4x8	-	-	-	-	AP8220263	1	CC029
13	Screw w/ flange M6X25	-	-	-	-	AP8152280	4	-
14	Clip M6	-	-	-	-	GU28576591	4	-
15	Cable-guide	-	-	-	-	AP8120708	1	-
16	Screw M5x15	-	-	-	-	GU98710215	2	-
17	Bush 6,2x10x10,7	-	-	-	-	883177	4	-

MOTO GUZZI		STELVIO 1200 NTX - ABS 1200 2009		GU095	00	TAB N.	21		
REAR BODY II									
Pos.	Description	Year	I_M_	Country	Version		Code	Q.ty	P.Cod.
1	Number plate holder	-	-	-	-	-	978425	1	DD069
2	Clip M5	-	-	-	-	-	AP8102375	2	-
3	Screw w/ flange M5x12	-	-	-	-	-	AP8152302	2	-
4	Reflector support	-	-	-	-	-	AP8134448	1	CB21F
5	Rear reflector, red	-	-	-	-	-	AP8224164	1	CB08F
6	Hex socket screw M5x16*	-	-	-	-	-	AP8152268	2	-
7	Self-locking nut M5*	-	-	-	-	-	AP8152306	1	-

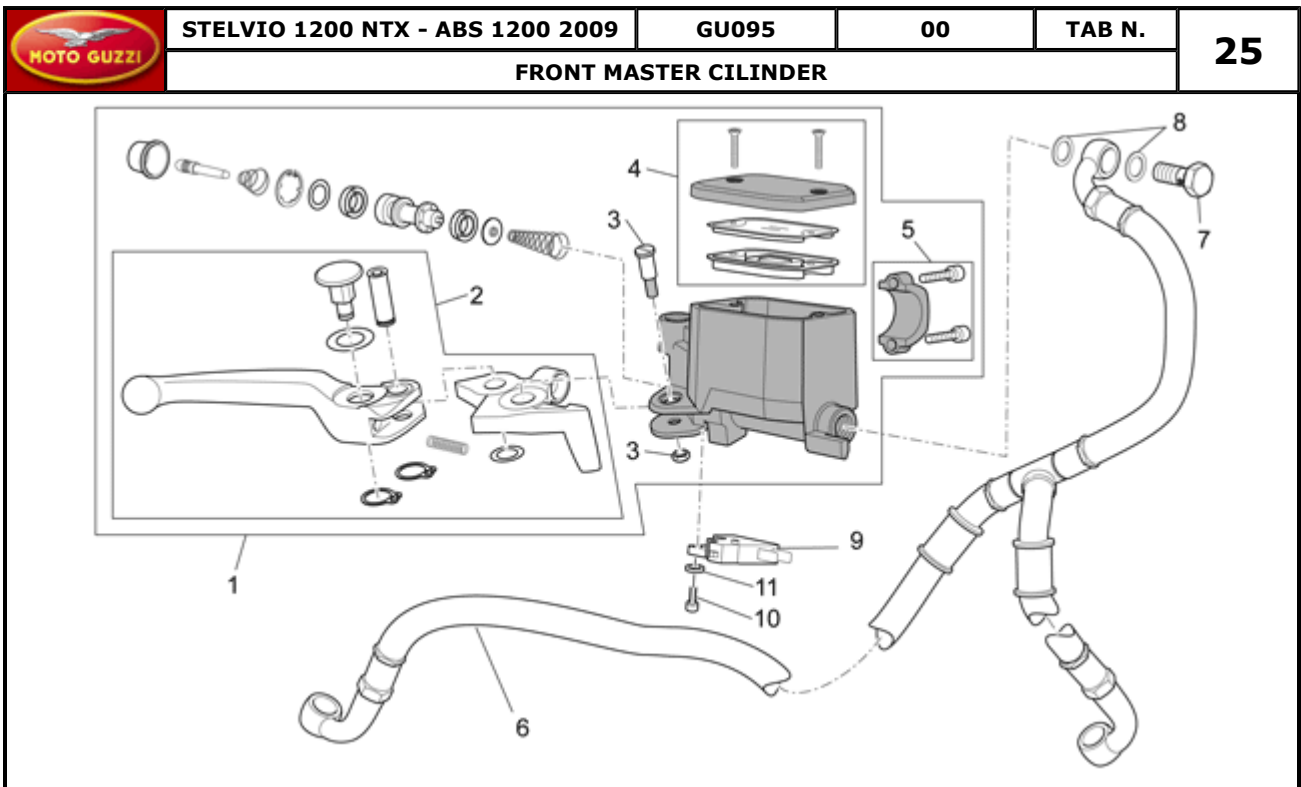


Pos.	Description	Year	I_M	Country	Version	Code	Q.ty	P.Cod.
1	Passenger handle	-	-	-	-	97843900Y10	1	DD269
2	Screw w/ flange M6X25	-	-	-	-	AP8152280	4	-
3	Hex socket screw M8X16	-	-	-	-	GU98682416	2	-
4	Washer 8,4X13X0,8	-	-	-	-	GU14615901	2	-
5	RH lugg.rack support	-	-	-	-	GU05466630	1	DG179
6	LH lugg.rack support	-	-	-	-	GU05466631	1	DG179
7	Hex socket screw M8x20	-	-	-	-	GU98230820	2	-
8	Hex socket screw M8x30	-	-	-	-	GU98350430	2	-
9	Washer 8,4x13*	-	-	-	-	AP8152154	4	-
10	Rear stand bush	-	-	-	-	AP8121890	2	-
11	Screw M6x35	-	-	-	-	GU98250635	2	-
12	Luggage rack cover	-	-	-	-	883047	1	DG029
13	Self-tap screw 5x14	-	-	-	-	AP8150509	4	-
14	Washer 6,4x12	-	-	-	-	GU03013800	4	-
15	Clip M5	-	-	-	-	AP8102375	2	-
16	Screw M5x15	-	-	-	-	GU98710215	2	-

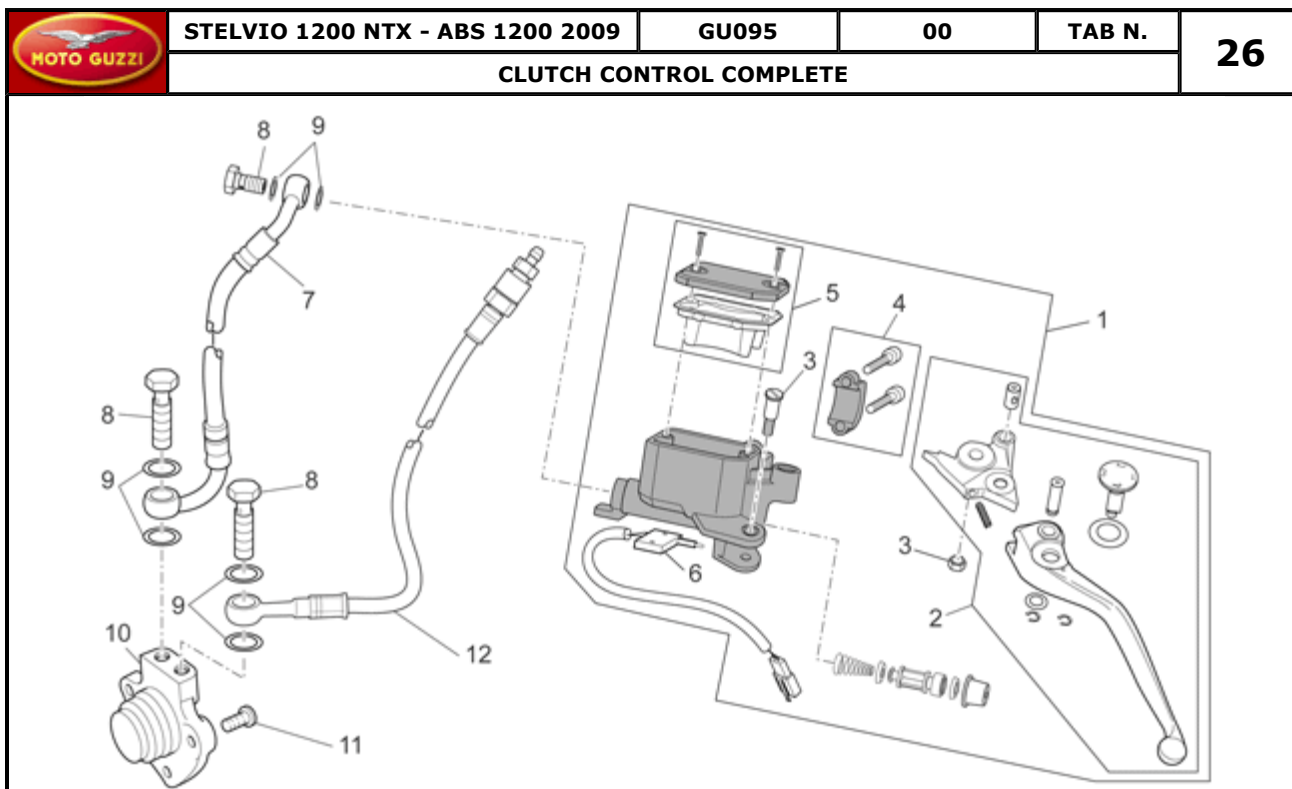
		STELVIO 1200 NTX - ABS 1200 2009	GU095	00	TAB N.	23		
DASHBOARD								
								
Pos.	Description	Year	I_M_	Country	Version	Code	Q.ty	P.Cod.
1	Dashboard complete	-	-	-	-	883341	1	JA009
2	Instrument frame	-	-	-	-	97842400Y11	1	JB029
3	Screw M5x15	-	-	-	-	976614	4	-
4	Nylon washer	-	-	-	-	GU01577830	4	-
5	Gasket	-	-	-	-	978449	1	-
6	Socket support	-	-	-	-	978633	1	JB099
7	Rubber spacer *	-	-	-	-	AP8220150	3	-
8	Washer 5x20x1,5	-	-	-	-	AP8150255	3	-
9	Self-tap screw 5x14	-	-	-	-	AP8150509	3	-
10	Main switch - steering lock	-	-	-	-	GU05782530	1	DH029
11	Shear rivet M8x28	-	-	-	-	AP8152238	1	-
12	Hex socket screw M8x30	-	-	-	-	GU98682430	1	-
13	Speedometer sensor cpl.	-	-	-	-	GU06765400	1	CA209
14	Hex socket screw M4x10	-	-	-	-	AP8152043	2	-
15	Fairlead	-	-	-	-	GU06765500	1	-
16	Cable-guide	-	-	-	-	AP8121882	1	-
17	Self-tap screw 3,9x14	-	-	-	-	AP8150413	2	-




Pos.	Description	Year	I_M_	Country	Version	Code	Q.ty	P.Cod.
1	Handlebar	-	-	-	-	978040	1	BC009
2	Upper U-bolt	-	-	-	-	978821	1	BD149
3	Screw M8x30	-	-	-	-	GU98700430	4	-
4	Lower U-bolt	-	-	-	-	978042	2	BD149
5	Screw w/ flange M10x40*	-	-	-	-	AP8152325	2	-
6	LH lights selector	-	-	-	-	859810	1	CD10B
7	LH hand grip	-	-	-	-	AP8118579	1	BC039
8	Anti.v weight, black	-	-	-	std	AP8104509	2	BC06*
9	Hex socket screw M6X40	-	-	-	std	GU98680340	2	-
10	Anti vib.weight trailing	-	-	-	std	AP8121520	2	BC06*
11	Engine stop-start device	-	-	-	abs	883544	1	CD139
	Engine stop-start device	-	-	-	noabs	978558	1	CD139
12	RH hand grip	-	-	-	-	GU01603480	1	BC039
13	RH rearview mirror	-	-	-	-	AP8104921	1	DF10A
14	LH rearview mirror	-	-	-	-	AP8104922	1	DF10B
15	Gas trasmission delivery	-	-	-	-	883001	1	HA029
16	Gas trasmission return	-	-	-	-	883002	1	HA029
17	Hose clamp L46 mm	-	-	-	-	GU01609630	4	-
18	Self-tap screw	-	-	-	-	978059	1	-

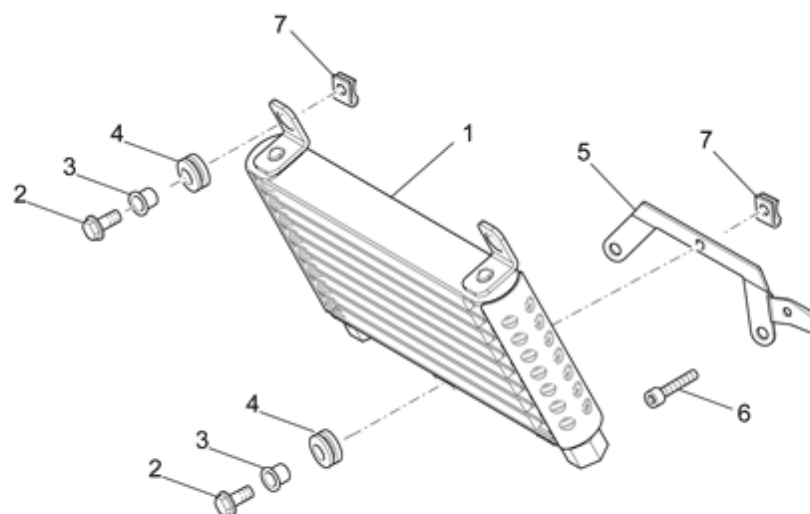


Pos.	Description	Year	I_M_	Country	Version	Code	Q.ty	P.Cod.
1	Front master cilinder	-	-	-	-	978606	1	IA00E
2	Front brake lever	-	-	-	-	981050	1	IA01E
3	Lever pin	-	-	-	-	AP8113995	1	IA01E
4	Tank cap	-	-	-	-	GU05661130	1	IA03A
5	U-bolt	-	-	-	-	AP8113993	1	IA029
6	Front brake hose	-	-	-	noabs	978784	1	IA05E
7	Oil pipe screw *	-	-	-	-	AP8133962	1	-
8	Gasket	-	-	-	-	GU25656100	2	-
9	Brake light switch	-	-	-	-	GU03749845	1	CD00E
10	Hex socket screw M4x12	-	-	-	-	GU98370412	1	-
11	Washer 4,3x8x1,5	-	-	-	-	GU95021104	1	-

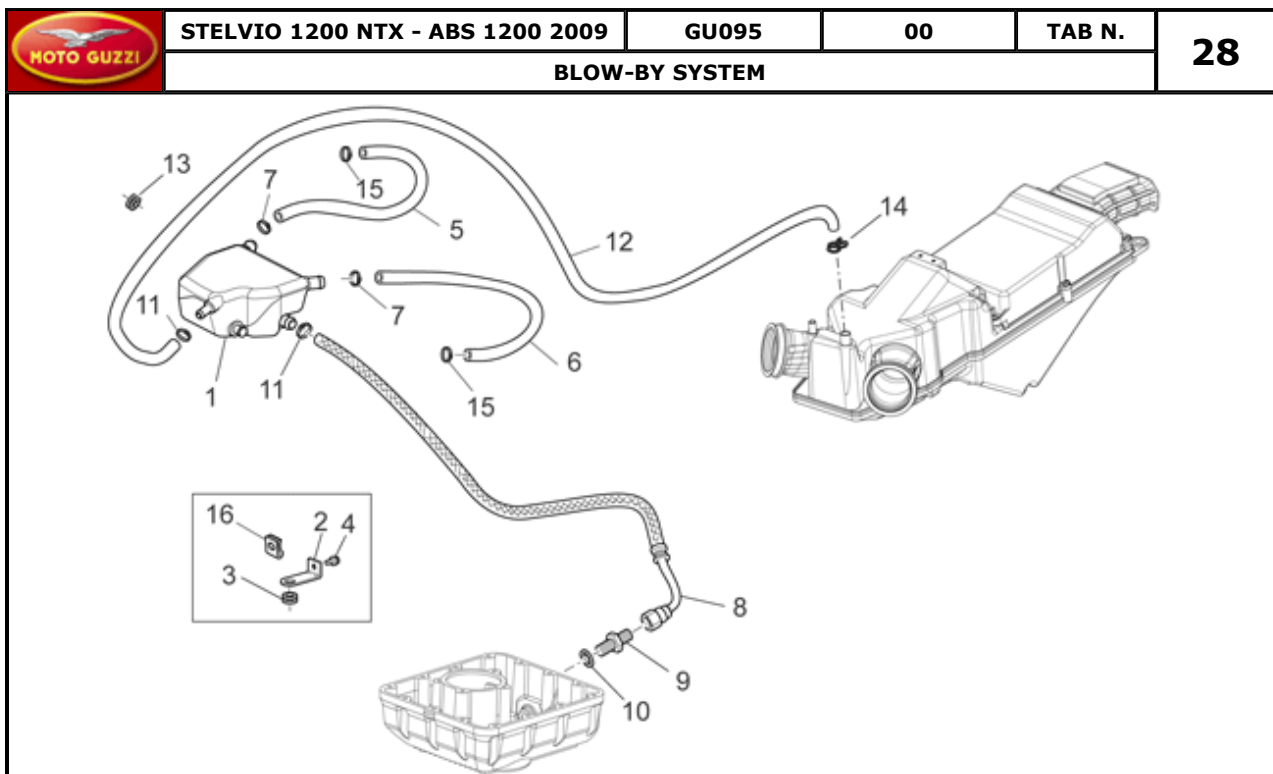


Pos.	Description	Year	I_M_	Country	Version	Code	Q.ty	P.Cod.
1	Clutch pump	-	-	-	-	978607	1	BC099
2	Clutch lever	-	-	-	-	981046	1	BC059
3	Lever pin	-	-	-	-	GU03604845	1	-
4	U-bolt	-	-	-	-	AP8113993	1	-
5	Tank cap	-	-	-	-	AP8113997	1	BC249
6	Microswitch	-	-	-	-	AP8113998	1	CD159
7	Clutch pipe	-	-	-	-	978911	1	BC169
8	Oil pipe screw	-	-	-	-	AP8133594	3	IA15E
9	Washer 10x14x1,6*	-	-	-	-	AP8113004	6	-
10	Clutch command cylinder	-	-	-	-	978739	1	BC139
11	Screw w/ flange M6x16*	-	-	-	-	AP8152278	3	-
12	Float chambe clutch pipe	-	-	-	-	GU05606630	1	BC169


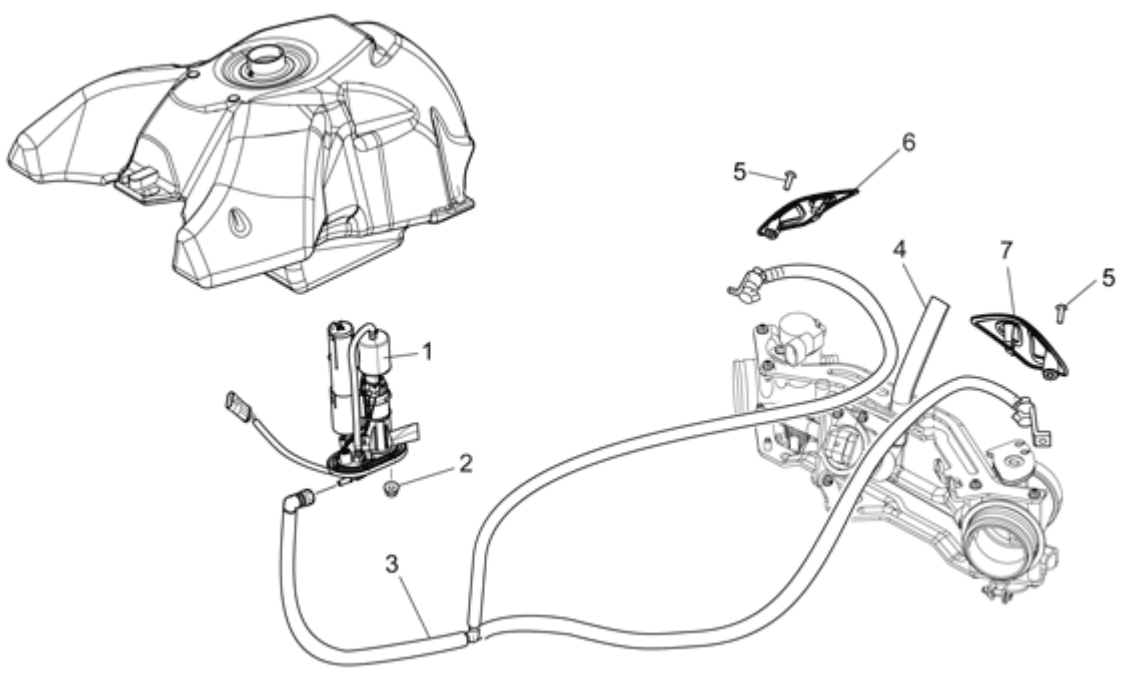
	STELVIO 1200 NTX - ABS 1200 2009	GU095	00	TAB N.	27
	OIL COOLER				

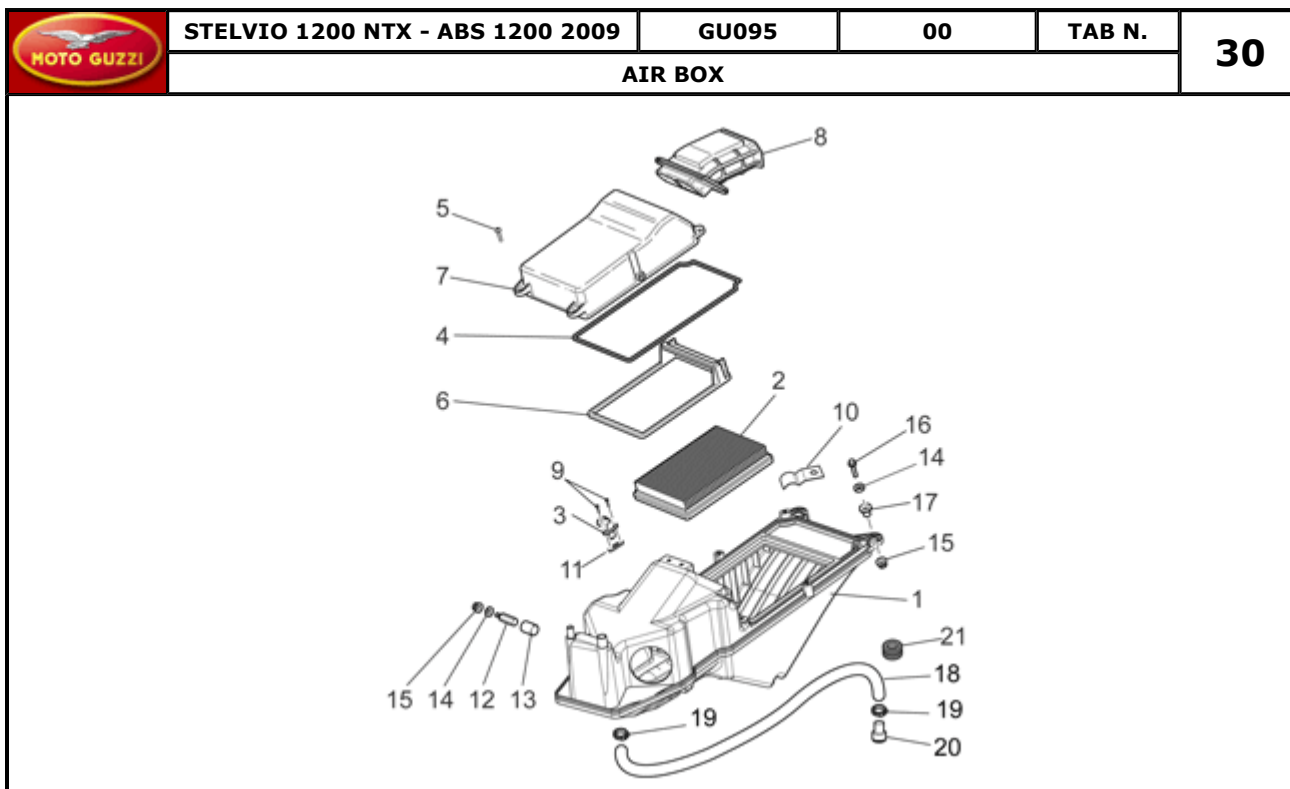


Pos.	Description	Year	I_M	Country	Version	Code	Q.ty	P.Cod.
1	Oil cooler cpl.	-	-	-	-	978579	1	GD009
2	Screw w/ flange M6X25	-	-	-	-	AP8152280	3	-
3	T bush *	-	-	-	-	AP8221023	3	-
4	Rubber spacer *	-	-	-	-	AP8120030	3	-
5	Water cooler support	-	-	-	-	978846	1	GD049
6	Hex socket screw M6X40	-	-	-	-	GU98680340	2	-
7	Clip M6	-	-	-	-	GU28576591	1	-

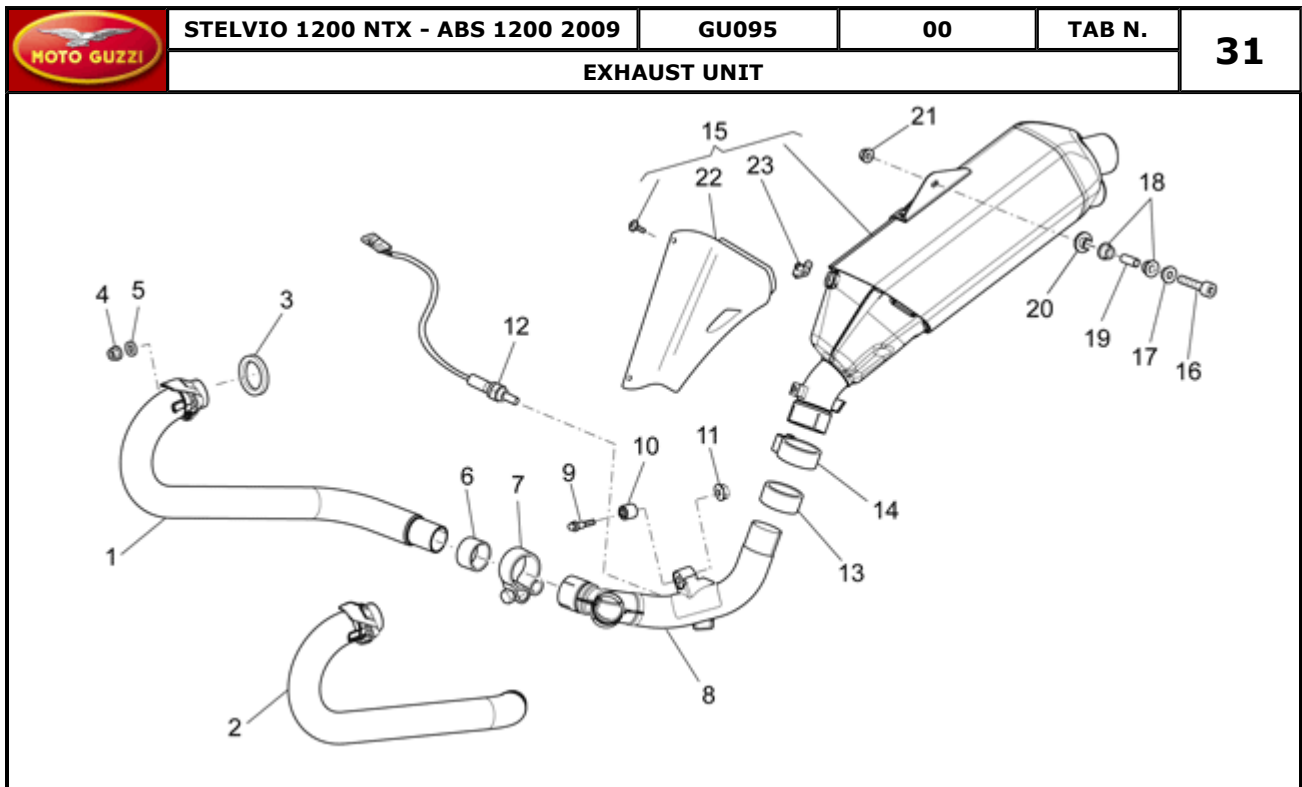


Pos.	Description	Year	I_M_	Country	Version	Code	Q.ty	P.Cod.
1	Housing	-	-	-	-	978047	1	GD059
2	Plate	-	-	-	-	GU06412300	1	-
3	Rubber spacer *	-	-	-	-	AP8120030	1	-
4	Screw w/ flange M6x16*	-	-	-	-	AP8152278	1	-
5	RH pipe	-	-	-	-	883034	1	GD069
6	LH pipe	-	-	-	-	883035	1	GD069
7	Hose clamp	-	-	-	-	GU93306017	4	-
8	Pipe	-	-	-	-	883036	1	GD069
9	Reduction	-	-	-	-	GU01161331	1	-
10	Gasket	-	-	-	-	GU01154230	1	-
11	White hose clip D.13,5x6	-	-	-	-	AP8102765	2	-
12	Breather pipe	-	-	-	-	GU00823955080	1	GD069
13	Rubber spacer	-	-	-	-	AP8220162	1	-
14	Hose clamp	-	-	-	-	AP8102520	1	-
15	Hose clip D.15,5x6,6	-	-	-	-	AP8101586	2	-
16	Clip M6	-	-	-	-	GU28576591	1	-

		STELVIO 1200 NTX - ABS 1200 2009	GU095	00	TAB N.	29		
FUEL SUPPLY								
								
Pos.	Description	Year	I_M_	Country	Version	Code	Q.ty	P.Cod.
1	Fuel pump cpl.	-	-	-	-	978138	1	DA139
2	Self-locking nut M5*	-	-	-	-	AP8152306	6	-
3	Fuel pipe, cpl.	-	-	-	-	883043	1	DA399
4	Breather pipe	-	-	-	-	883633	1	-
5	Hex socket screw M5x22	-	-	-	-	GU98680222	2	-
6	RH protection	-	-	-	-	883092	1	DD319
7	LH protection	-	-	-	-	883093	1	DD319



Pos.	Description	Year	I_M_	Country	Version	Code	Q.ty	P.Cod.
1	Air box	-	-	-	-	877062	1	EB019
2	Air filter	-	-	-	-	AP8104329	1	EB029
3	Air temp. Sensor	-	-	-	-	GU30729330	1	AN059
4	Gasket D4	-	-	-	-	AP8120593	1	EB129
5	Phillips screw, SWP M5X20	-	-	-	-	AP8152329	6	-
6	Protection	-	-	-	-	GU06114200	1	EB209
7	Cover	-	-	-	-	GU06113700	1	EB009
8	Intake hose	-	-	-	-	AP8144164	1	EB059
9	Self-tap screw 2,9x12	-	-	-	-	AP8150421	2	-
10	U-bolt	-	-	-	-	GU93301313	1	-
11	Gasket	-	-	-	-	GU30027931	1	-
12	Filter housing support spindle	-	-	-	-	883097	2	-
13	Rubber spacer	-	-	-	-	AP8220526	2	-
14	Washer 6,15x11x0,8	-	-	-	-	GU95008206	2	-
15	Self-locking nut M6*	-	-	-	-	AP8152299	2	-
16	Screw w/ flange M6X25	-	-	-	-	AP8152280	2	-
17	T bush *	-	-	-	-	AP8221023	2	-
18	Fuel pipe 6x10	-	-	-	-	AP8144038	2	-
19	Hose clamp D10,1*	-	-	-	-	AP8101595	4	-
20	Plug	-	-	-	-	AP8120876	2	-
21	Rubber spacer *	-	-	-	-	AP8120030	2	-



Pos.	Description	Year	I_M_	Country	Version	Code	Q.ty	P.Cod.
1	RH exhaust pipe	-	-	-	-	978621	1	FA00A
2	LH exhaust pipe	-	-	-	-	978622	1	FA00B
3	Gasket	-	-	-	-	976376	2	AO03*
4	Flanged nut M8	-	-	-	-	GU92660021	4	-
5	Washer 8,4X13X0,8	-	-	-	-	GU14615901	4	-
6	Gasket	-	-	-	-	GU06123500	2	-
7	Hose clamp	-	-	-	-	883094	2	-
8	Central exhaust pipe	-	-	-	-	978635	1	FA069
9	Screw w/ flange M10x55	-	-	-	-	AP8152410	1	-
10	Silent-block	-	-	-	-	AP8220346	1	-
11	Self-locking nut M10*	-	-	-	-	AP8152301	1	-
12	Lamda sensor	-	-	-	-	GU32727010	1	AN079
13	Gasket	-	-	-	-	GU05128230	1	FC019
14	Hose clamp	-	-	-	-	976521	1	FC029
15	Silencer	-	-	-	-	978443	1	FC009
16	Hex socket screw M8x60	-	-	-	-	GU98680460	1	-
17	Silencer fixing bush	-	-	-	-	AP8134378	1	-
18	Rubber exhaust	-	-	-	-	AP8144071	2	-
19	Spacer	-	-	-	-	AP8121072	1	-
20	Spacer	-	-	-	-	977582	1	-
21	Nut M8x1,25	-	-	-	-	GU92650138	1	-
22	Protection	-	-	-	-	978444	1	-
23	Clip M6	-	-	-	-	GU28576591	2	-



STELVIO 1200 NTX - ABS 1200 2009

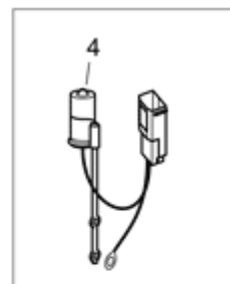
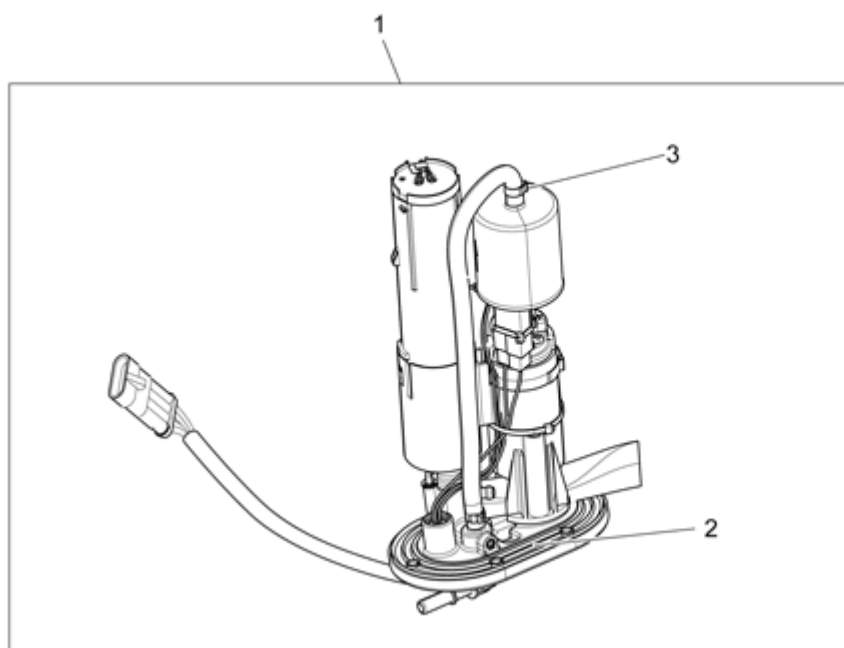
GU095

00

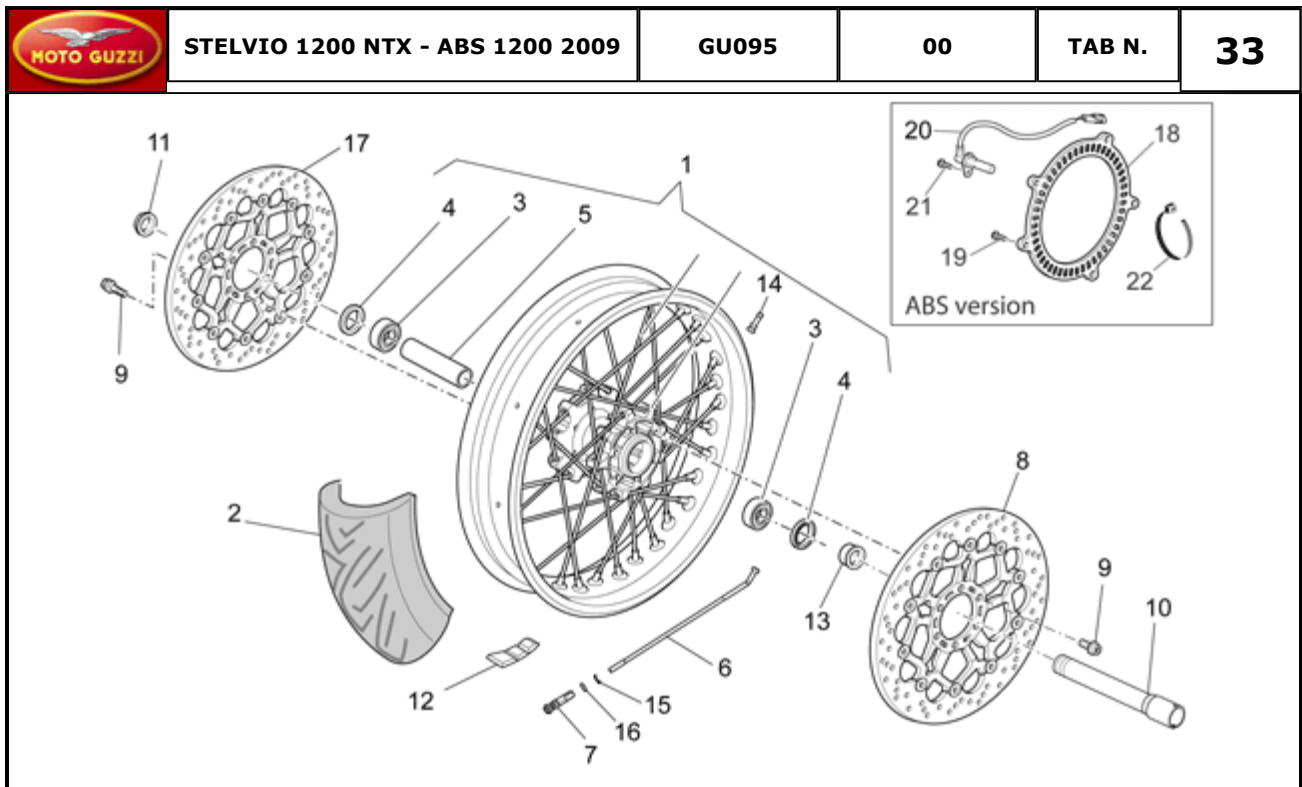
TAB N.

32

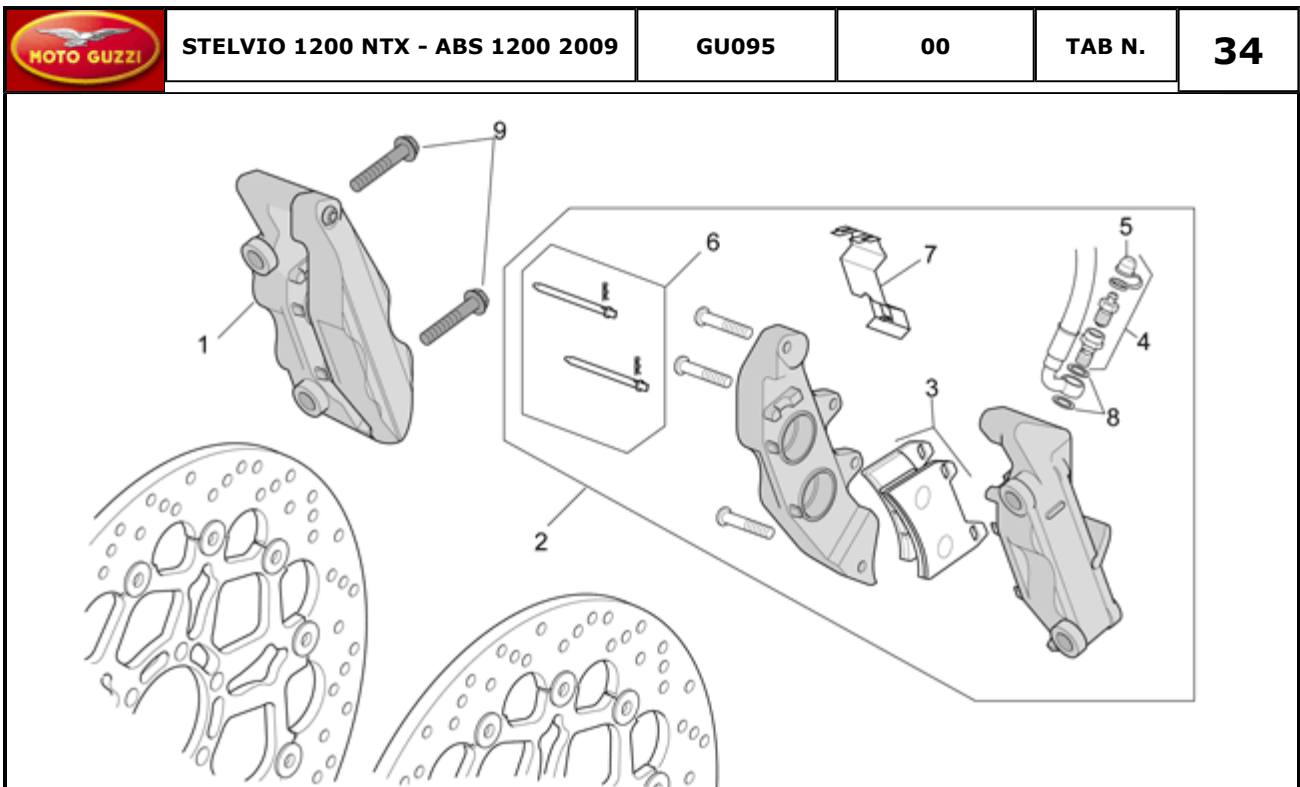
INTERNAL FUEL PUMP



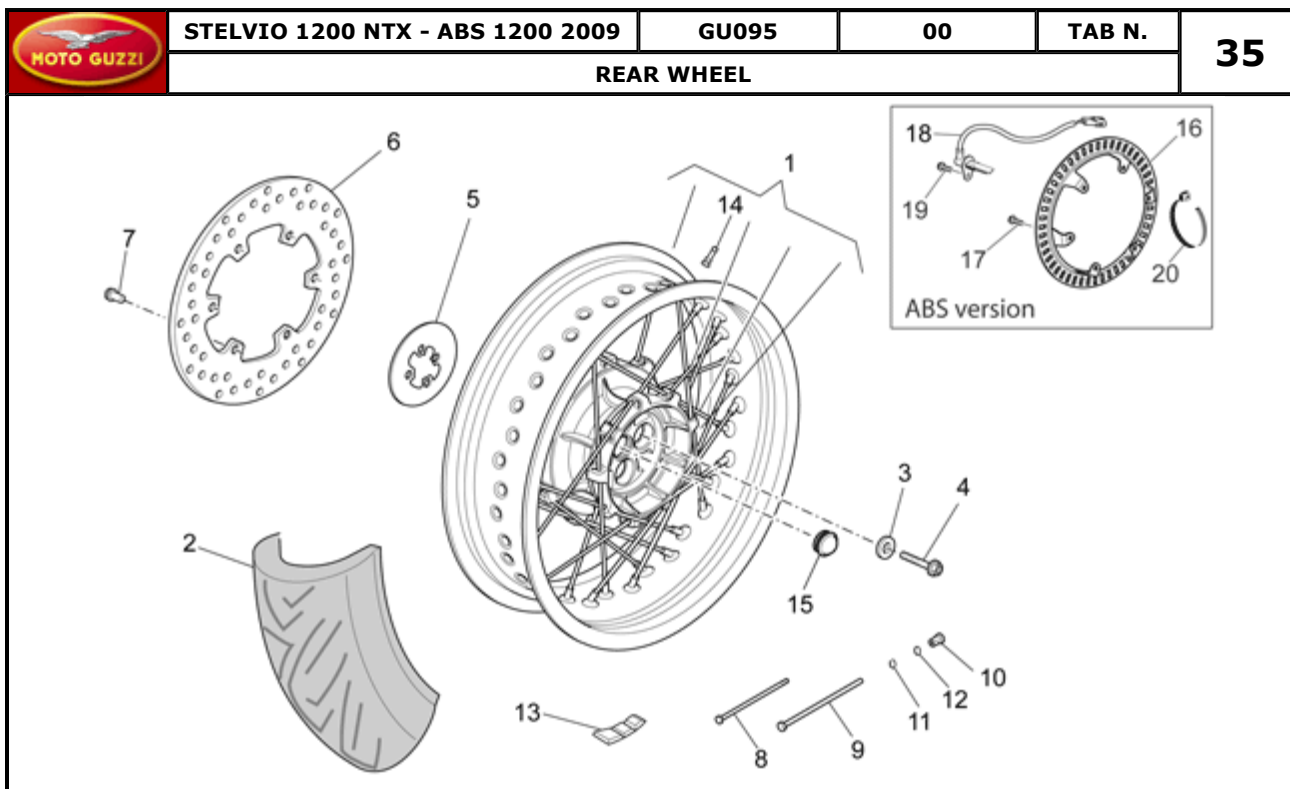
Pos.	Description	Year	I_M	Country	Version	Code	Q.ty	P.Cod.
1	Fuel pump cpl.	-	-	-	-	978138	1	DA139
2	Gasket	-	-	-	-	GU05107430	1	DA429
3	Hose clamp 11,3	-	-	-	-	GU01108490	4	-
4	Fuel level sensor	-	-	-	-	AP8127817	1	CD099



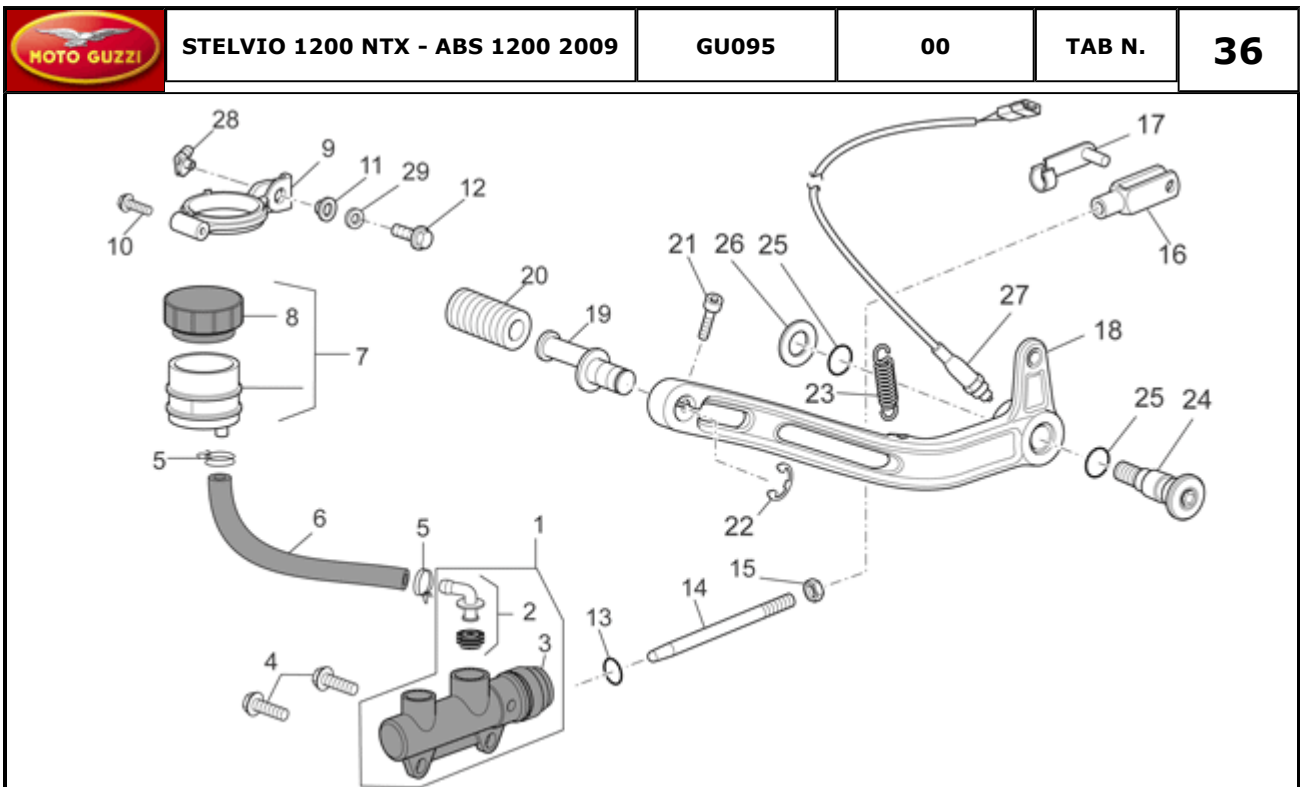
Pos.	Description	Year	I_M_	Country	Version	Code	Q.ty	P.Cod.
1	Front wheel 3,50x19"	-	-	-	-	883009	1	BB23E
2	Front/rear tyre 110/80 R19	-	-	-	-	0000000	1	-
3	Ball bearing 25x47x12	-	-	-	-	AP8125777	2	BB01E
4	Gasket ring 30x47x7	-	-	-	-	AP8125773	2	-
5	Spacer	-	-	-	-	978516	1	BB32E
6	Spoke	-	-	-	-	978864	36	BB12E
7	Nipples	-	-	-	-	978810	36	BB13E
8	Front brake disc	-	-	-	-	978764	1	IA08E
9	Screw M8x16	-	-	-	-	GU05611430	12	IA09*
10	Front wheel spindle	-	-	-	-	978030	1	BB03E
11	Nut	-	-	-	-	GU01612190	1	BB24E
12	Counterweight	-	-	-	-	GU14616150	1	BB29F
13	Spacer	-	-	-	-	GU06616300	1	-
14	Tubeless tyre valve	-	-	-	-	978814	1	BB07E
15	Snap ring	-	-	-	-	978811	36	-
16	Nipples	-	-	-	-	978810	36	-
17	Front brake disc	-	-	-	-	883372	1	IA08E
18	Wheel speed sensor, left front	-	-	-	abs	GU05681430	1	IC03E
19	Screw M5x10	-	-	-	abs	GU98250510	5	-
20	Sensor abs	-	-	-	abs	AP8127469	1	IC04E
21	Screw w/ flange M6x16*	-	-	-	abs	AP8152278	1	-
22	Hose clamp 2,4x92	-	-	-	abs	GU49609601	1	-



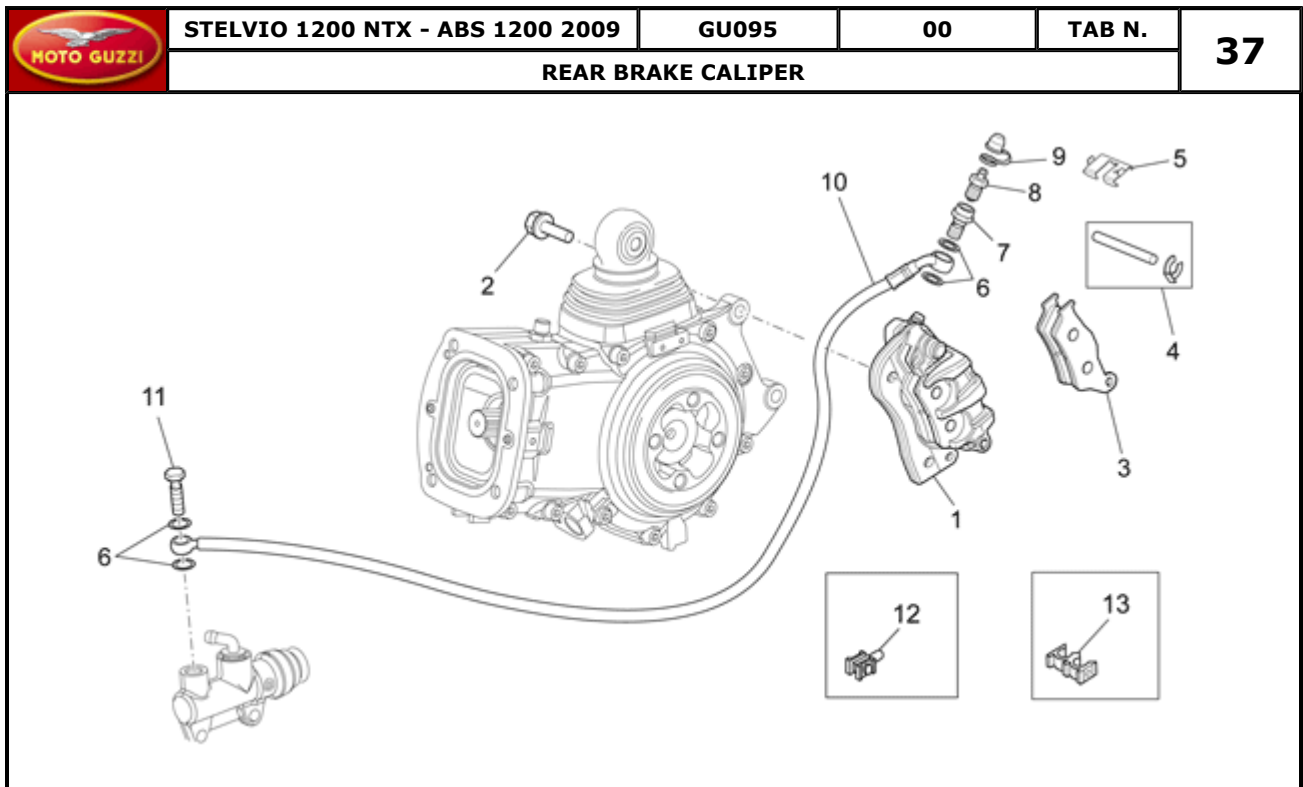
Pos.	Description	Year	I_M_	Country	Version	Code	Q.ty	P.Cod.
1	RH front brake caliper	-	-	-	abs	883385	1	IA06U
	RH front brake caliper, black P432	-	-	-	noabs	978464	1	IA06U
2	LH front brake caliper	-	-	-	abs	883384	1	IA06T
	LH front brake caliper, black P432	-	-	-	noabs	978465	1	IA06T
3	Pads pair	-	-	-	abs	883673	2	IA07*
	Pads pair	-	-	-	noabs	GU01654630	2	IA07*
4	Air bleed valve	-	-	-	-	978466	2	-
5	Bleed valve cap	-	-	-	-	AP8113070	1	-
6	Pins+Caliper springs	-	-	-	-	GU01659130	2	IA11E
7	Spring	-	-	-	-	GU01659131	2	IA11E
8	Gasket	-	-	-	-	GU25656100	4	-
9	Screw w/ flange M10x55	-	-	-	-	AP8152414	4	IA30*




Pos.	Description	Year	I_M_	Country	Version	Code	Q.ty	P.Cod.
1	Rear wheel 4,25X17"	-	-	-	ntx	883433	1	BB23F
	Rear wheel 5,5x17"	-	-	-	std	978849	1	BB23F
2	Rear tyre .185/55 R17	-	-	-	std	0000000	1	-
	Rear tyre .150/70 R17	-	-	-	ntx	0000000	1	-
3	Conical bush	-	-	-	-	GU05632730	4	BB06F
4	Screw w/ flange M12x65	-	-	-	-	GU97202665	4	BB06F
5	Dust cover ring	-	-	-	-	977056	1	-
6	Rear brake disc	-	-	-	-	GU05635730	1	IA08F
7	Screw	-	-	-	-	GU30611460	6	IA09F
8	Short spoke	-	-	-	-	978815	36	BB12F
9	Long spoke	-	-	-	-	978816	36	BB12F
10	Nipples	-	-	-	-	978810	36	BB13F
11	Snap ring	-	-	-	-	978811	36	-
12	Nipples	-	-	-	-	978810	36	-
13	Counterweight	-	-	-	-	GU14616150	1	BB29F
14	Tubeless tyre valve	-	-	-	-	978814	1	BB07E
15	Plug	-	-	-	-	978301	1	-
16	Wheel speed sensor, left front	-	-	-	abs	GU05681530	1	IC03F
17	Screw w/ flange M5x12	-	-	-	abs	AP8152272	6	-
18	Sensor	-	-	-	abs	GU05683730	1	IC04F
19	Screw w/ flange M6x16*	-	-	-	abs	AP8152278	1	-
20	Hose clamp 2,4x92	-	-	-	abs	GU49609601	1	-

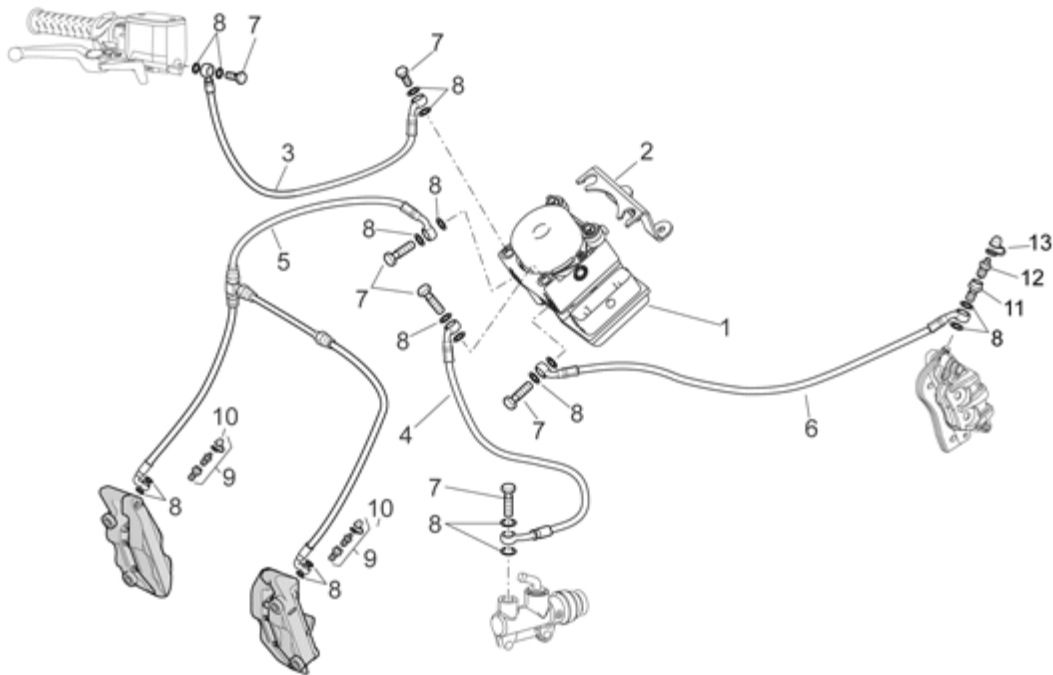


Pos.	Description	Year	I_M	Country	Version	Code	Q.ty	P.Cod.
1	Rear master cylinder	-	-	-	-	GU05666930	1	IA00F
2	Rear brake pump union	-	-	-	-	AP8113594	1	-
3	Rubber bellows	-	-	-	-	AP8113288	1	-
4	Screw w/ flange M6x20	-	-	-	-	AP8152279	2	-
5	Hose clamp D10,1*	-	-	-	-	AP8101595	2	-
6	Oil pipe	-	-	-	-	883008	1	IA05F
7	Brake oil tank complete	-	-	-	-	GU05663530	1	IA12F
8	Tank cap	-	-	-	-	GU17661052	1	IA329
9	Tank support	-	-	-	-	GU05666030	1	-
10	Phillips screw, SWP M5X20	-	-	-	-	AP8152329	1	-
11	T bush *	-	-	-	-	AP8221145	1	-
12	Screw w/ flange M6x16*	-	-	-	-	AP8152278	1	-
13	O-ring OR112	-	-	-	-	AP8120178	1	-
14	Master cylinder rod	-	-	-	-	977041	1	IA199
15	Nut M6*	-	-	-	-	GU92606206	1	-
16	Fork	-	-	-	-	AP8113081	1	IA209
17	Gear selector fork clips	-	-	-	-	AP8113082	1	-
18	Rear brake lever	-	-	-	-	GU06677000	1	IA01F
19	Brake lever pin	-	-	-	-	AP8121221	1	-
20	Lever rubber	-	-	-	-	AP8120912	1	IA169
21	Hex socket screw M6x16	-	-	-	-	GU98682316	1	-
22	Circlip d9	-	-	-	-	AP8150462	1	-
23	Inner spring	-	-	-	-	GU30434000	1	IA229
24	Rear brake lever pin	-	-	-	-	AP8121223	1	IA179
25	O-ring 11,11x1,78	-	-	-	-	AP8144007	2	-
26	Washer 10,5x22x2,5	-	-	-	-	GU95008310	1	-
27	Brake light switch	-	-	-	-	AP8112996	1	CD00F
28	Nut with clip M6	-	-	-	-	GU28576592	1	-
29	Washer	-	-	-	-	GU95021206	1	-

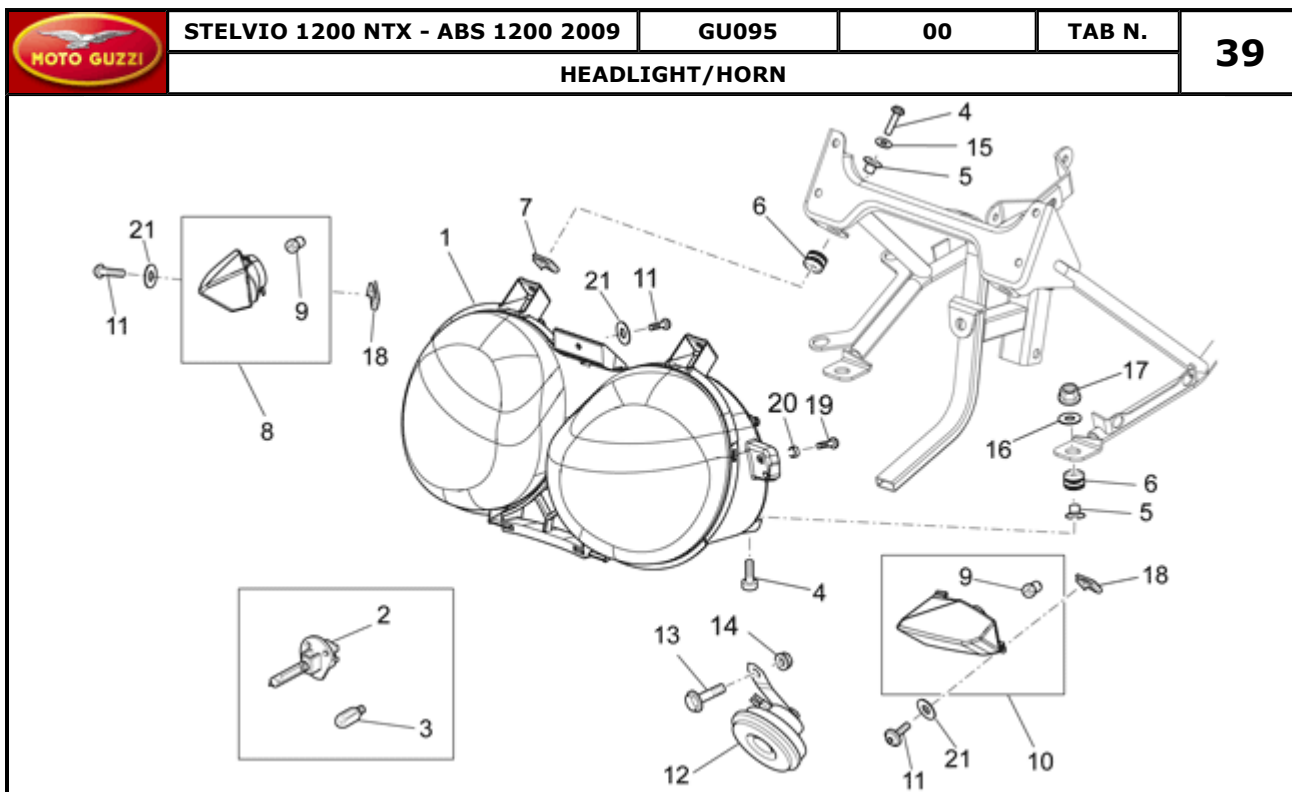


Pos.	Description	Year	I_M	Country	Version	Code	Q.ty	P.Cod.
1	Rear brake caliper, black	-	-	-	-	978414	1	IA06F
2	Screw w/ flange M10x30*	-	-	-	-	AP8152320	2	IA30F
3	Pads pair	-	-	-	-	GU05654630	1	IA07F
4	Pin+split pin	-	-	-	-	GU05659130	1	IA11F
5	Spring	-	-	-	-	GU05659030	1	IA11F
6	Washer 10x14x1,6*	-	-	-	-	AP8113004	4	-
7	Screw	-	-	-	-	AP8133597	1	-
8	Air bleed valve	-	-	-	-	AP8133595	1	IA11F
9	Bleed valve cap	-	-	-	-	AP8113070	1	IA11F
10	Rear brake hose	-	-	-	noabs	883007	1	IA05F
11	Oil pipe screw *	-	-	-	-	AP8133962	1	-
12	Cable-guide hook	-	-	-	-	AP8202238	4	-
13	Cable-guide D8	-	-	-	-	AP8201808	5	-

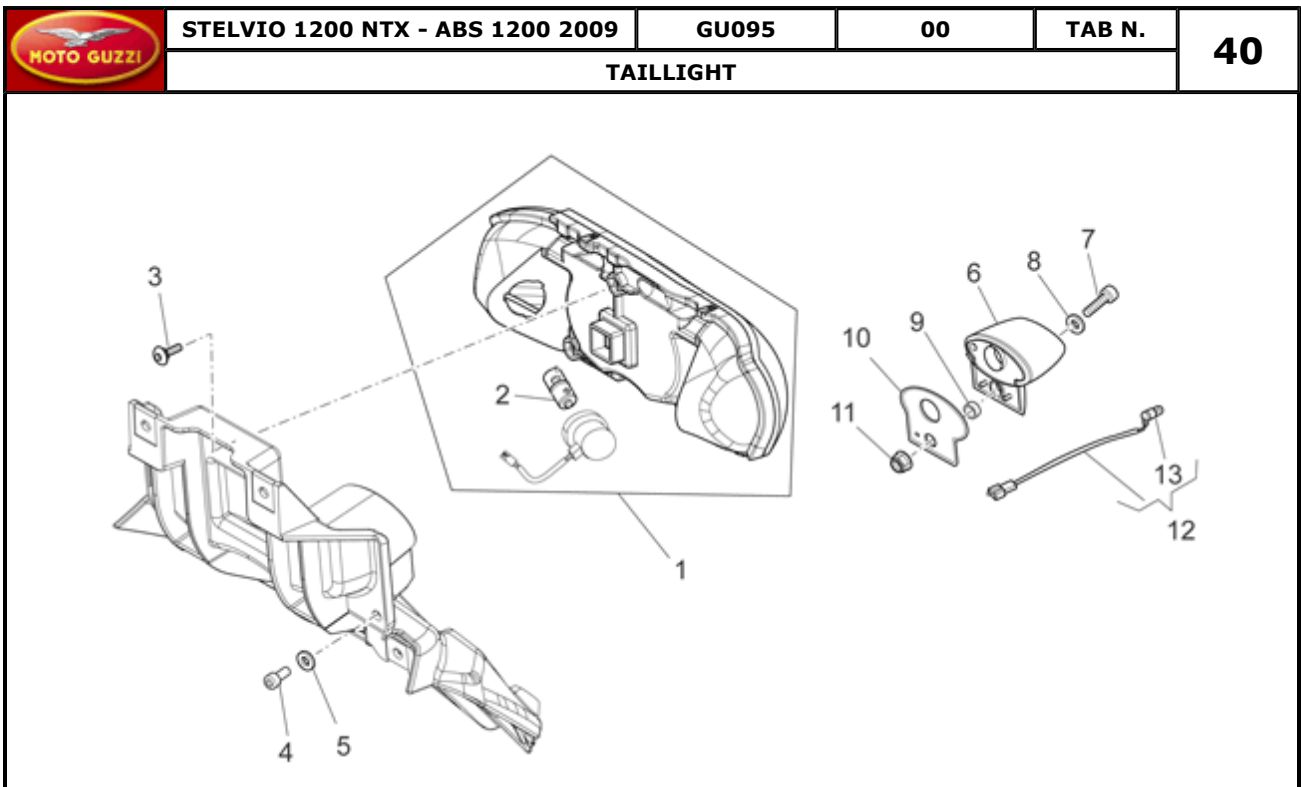
	STELVIO 1200 NTX - ABS 1200 2009	GU095	00	TAB N.	38
	ABS BRAKE SYSTEM				



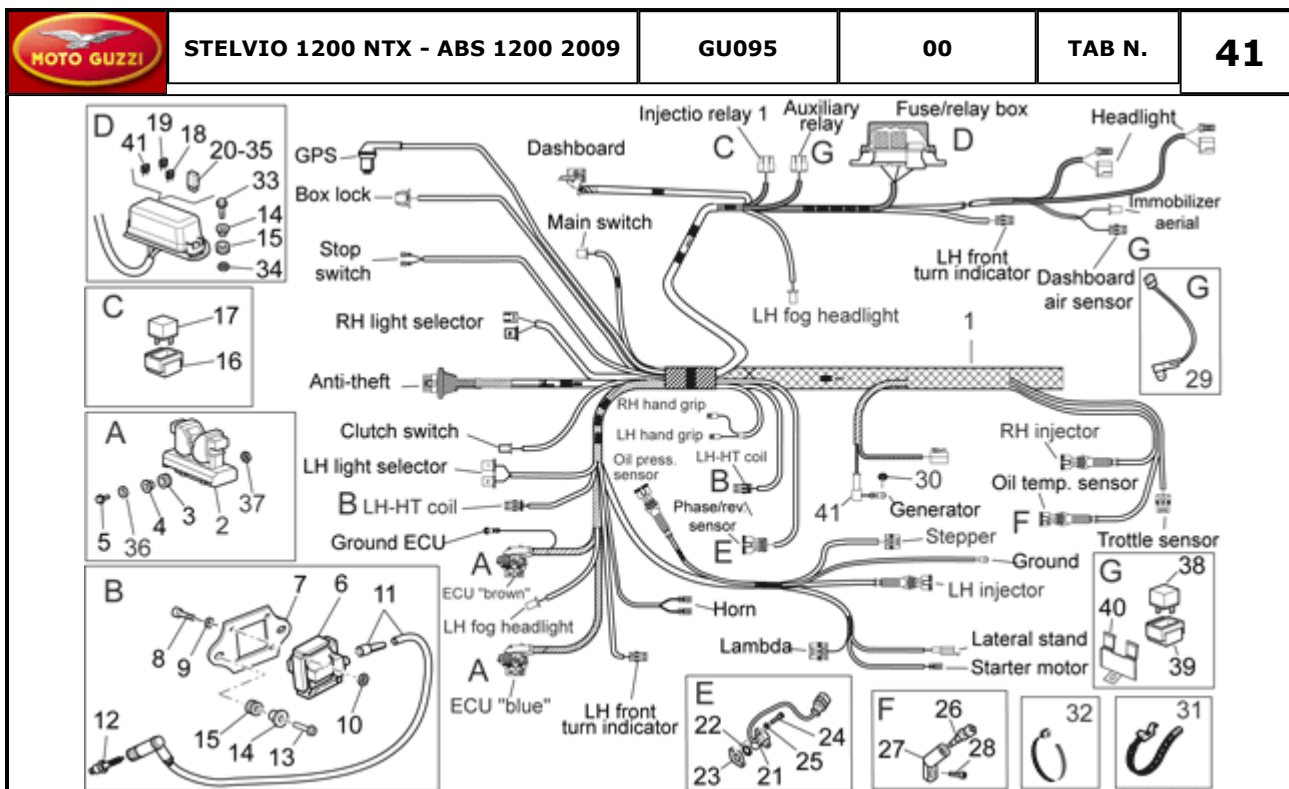
Pos.	Description	Year	I_M_	Country	Version	Code	Q.ty	P.Cod.
1	ECU/Pump ABS	-	-	-	abs -	883563	1	IC009
2	Support ABS	-	-	-	abs -	978033	1	-
3	Front brake line	-	-	-	abs -	883559	1	IA05E
4	Rear brake line	-	-	-	abs -	883560	1	IA05F
5	Front brake line	-	-	-	abs -	883561	1	IA05E
6	Rear brake line	-	-	-	abs -	883562	1	IA05F
7	Oil pipe screw *	-	-	-	-	AP8133962	6	-
8	Gasket	-	-	-	-	GU25656100	18	-
9	Air bleed valve	-	-	-	-	978466	2	-
10	Bleed valve cap	-	-	-	-	AP8113070	2	-
11	Screw	-	-	-	-	AP8133597	1	-
12	Air bleed valve	-	-	-	-	AP8133595	1	IA11F
13	Bleed valve cap	-	-	-	-	AP8113070	1	IA11F



Pos.	Description	Year	I_M_	Country	Version	Code	Q.ty	P.Cod.
1	Headlight	-	-	-	-	978450	1	CB109
2	Lamp H4 60/55W 12V	-	-	-	-	292723	2	CB149
3	Lamp WY5W	-	-	-	-	292022	2	CB149
4	Hex socket screw M5X25	-	-	-	-	GU98680225	2	-
5	T bush *	-	-	-	-	AP8221023	4	-
6	Rubber spacer *	-	-	-	-	AP8120030	4	-
7	Clip M5	-	-	-	-	AP8102375	4	-
8	RH front turn indicator	-	-	-	-	978428	1	CB09T
9	Lamp, orange 12V-10W	-	-	-	-	584332	2	-
10	LH front turn indicator	-	-	-	-	978427	1	CB09U
11	Screw	-	-	-	-	GU98682116	3	-
12	Electric hom L	-	-	-	-	883463	1	CB069
13	Screw w/ flange M6x20	-	-	-	-	AP8152279	1	-
14	Self-locking nut M6*	-	-	-	-	AP8152299	1	-
15	Spring washer 5,3X10X0,5	-	-	-	-	GU95129100	2	-
16	Notched washer	-	-	-	-	GU95021105	2	-
17	Flanged nut M5	-	-	-	-	GU92650035	2	-
18	Clip M4	-	-	-	-	AP8102381	2	-
19	Screw M4x25	-	-	-	-	GU98680125	2	-
20	Bush	-	-	-	-	GU91120507	2	-
21	Washer 5,3x10x0,8	-	-	-	-	GU95008205	3	-




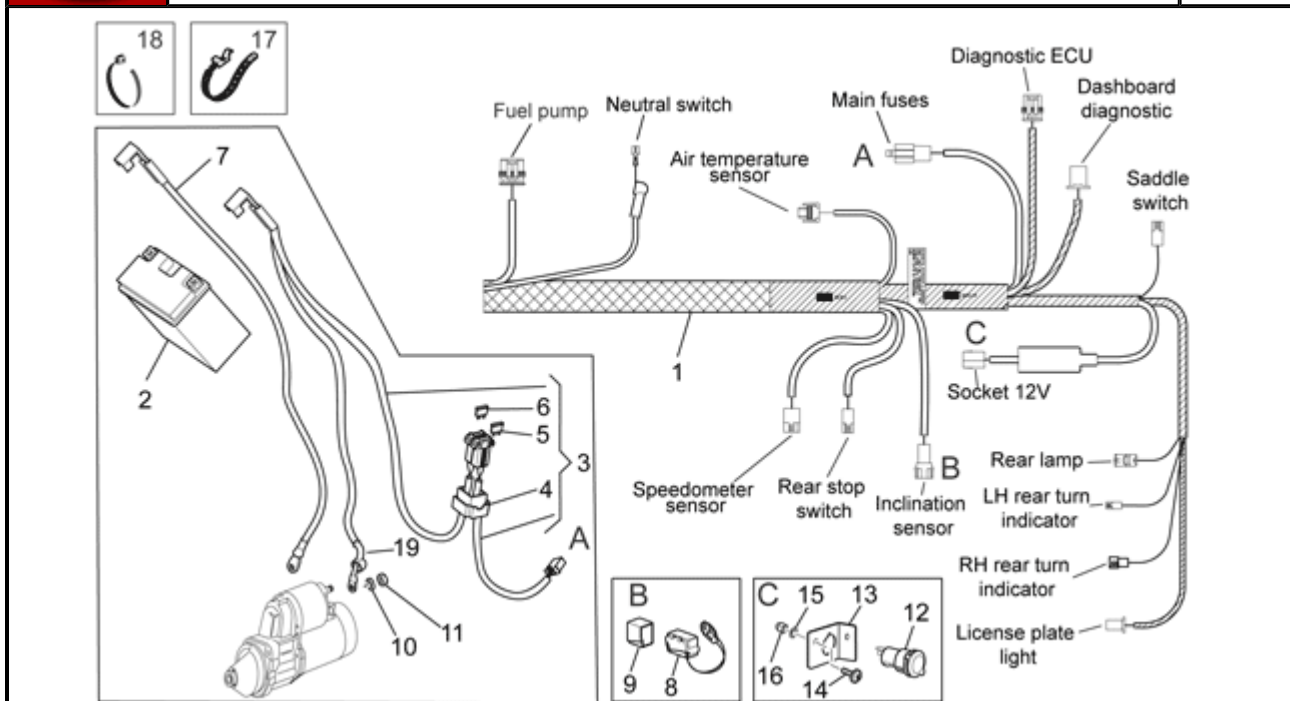
Pos.	Description	Year	I_M_	Country	Version	Code	Q.ty	P.Cod.
1	Taillight	-	-	-	-	978451	1	CB049
2	Lamp, orange 12V-10W	-	-	-	-	584332	2	-
3	Screw w/ flange M5x12	-	-	-	-	AP8152302	1	-
4	Hex socket screw M5X10	-	-	-	-	GU98692210	2	-
5	Washer 5,25x14x1,5	-	-	-	-	GU95100059	2	-
6	Number-plate light	-	-	-	-	AP8127098	1	CB009
7	Hex socket screw M5X25	-	-	-	-	GU98680225	1	-
8	Washer 5,3x10x0,8	-	-	-	-	GU95008205	1	-
9	Bush	-	-	-	-	GU91120507	1	-
10	Support rubber part	-	-	-	-	GU32474710	1	-
11	Self-locking nut M5*	-	-	-	-	AP8152306	1	-
12	Plate light wiring	-	-	-	-	977795	1	CA179
13	Lamp WY5W	-	-	-	-	292022	1	-



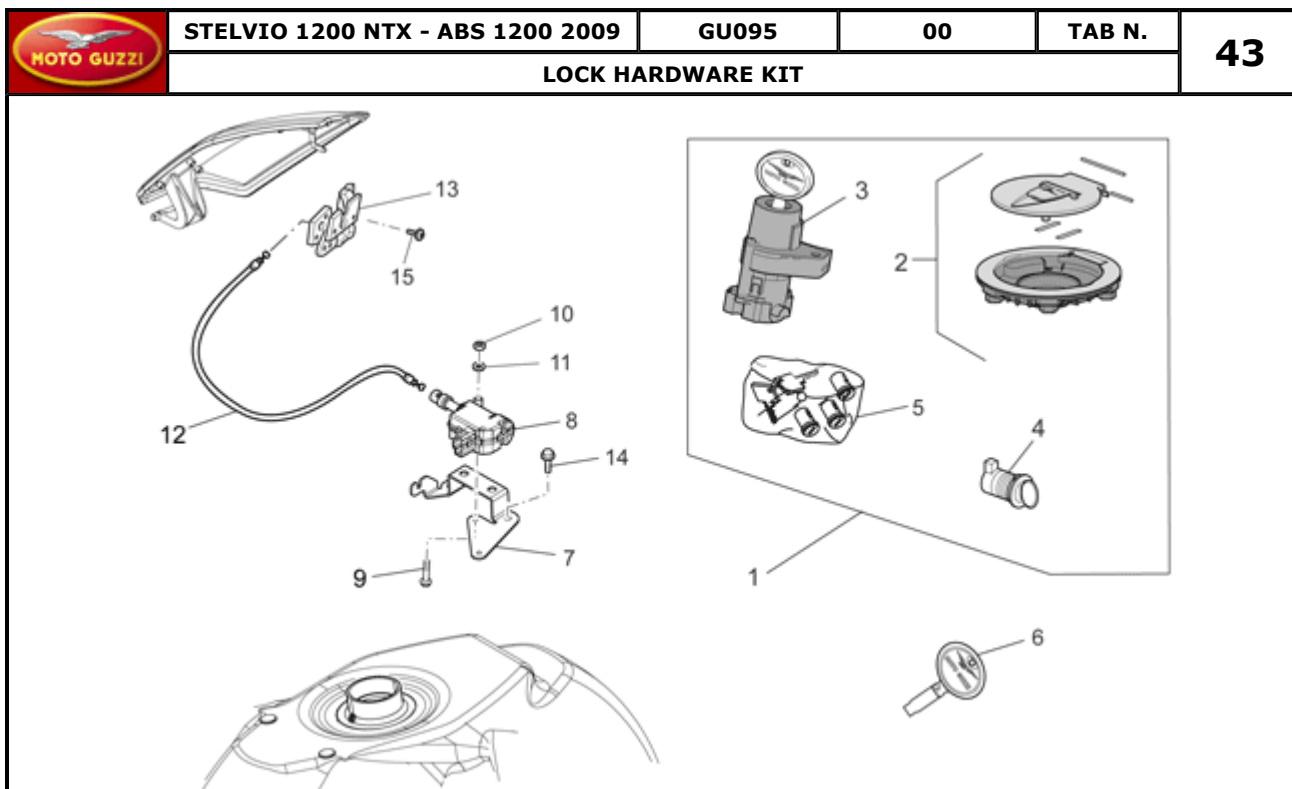
Pos.	Description	Year	I_M	Country	Version	Code	Q.ty	P.Cod.
1	Main wiring harness	-	-	-	abs	883224	1	CA009
	Main wiring harness	-	-	-	noabs	978448	1	CA009
2	ECU	-	-	-	noabs	883653	1	AM049
	ECU	-	-	-	abs	883408	1	AM049
3	Rubber spacer	-	-	-	-	978152	2	-
4	T bush *	-	-	-	-	AP8121795	2	-
5	Hex socket screw IX M5X45	-	-	-	-	GU98690245	2	-
6	HT coil	-	-	-	-	GU30716500	2	AM019
7	Coil holder	-	-	-	-	GU05716730	2	BA26E
8	Hex socket screw M4X25	-	-	-	-	GU98682125	8	-
9	Washer 4,3x8x0,5	-	-	-	-	GU95008204	8	-
10	Nut M4x0,7	-	-	-	-	GU92630104	8	-
11	HT wire	-	-	-	-	883028	2	CA38E
12	Spark plug NGK PMR8B	-	-	-	-	GU05717030	2	AM03*
13	Screw w/ flange M6x20	-	-	-	-	AP8152279	6	-
14	Rubber spacer *	-	-	-	-	AP8120030	6	-
15	T bush *	-	-	-	-	AP8221023	6	-
16	Relay rubber	-	-	-	-	AP8220546	2	-
17	Injection relay	-	-	-	-	AP8124869	2	CD189
18	Fuse 3A	-	-	-	-	977769	3	CA349
19	Fuse 15A	-	-	-	-	977772	5	CA349
20	Relay shunt va.siem. A1001A403	-	-	-	-	GU01731760	1	CD189
21	Phase/revolution sensor	-	-	-	-	GU01721600	1	AN049
22	O-ring	-	-	-	-	GU90706141	1	-
23	Gasket 0,4mm	-	-	-	-	GU01722701	1	AO349
	Gasket 0,6mm	-	-	-	-	GU01722702	1	AO349
	Gasket 0,8mm	-	-	-	-	GU01722703	1	AO349
	Gasket 1mm	-	-	-	-	GU01722704	1	AO349
	Gasket 1,5mm	-	-	-	-	GU01722705	1	AO349
	Gasket 0,5 mm	-	-	-	-	GU29722760	1	AO349
	Gasket 0,3mm	-	-	-	-	GU01722700	1	AO349
24	Hex socket screw M5x12	-	-	-	-	GU98682212	2	-

25	Washer 5,3x10x0,8	-	-	-	-	-	GU95008205	2	-
26	Oil temperature sensor	-	-	-	-	-	GU29729461	1	AN099
27	Sensor support	-	-	-	-	-	976556	1	-
28	Hex socket screw M10x20	-	-	-	-	-	GU98683520	1	-
29	Air temp. Sensor	-	-	-	-	-	AP8124936	1	AN059
30	Self-locking nut M6*	-	-	-	-	-	AP8152299	3	-
31	Hose clamp	-	-	-	-	-	GU06609600	9	-
32	Hose clamp 7,6x380	-	-	-	-	-	GU93304360	2	-
	Hose clamp 3,6x375	-	-	-	-	-	GU93304390	2	-
	Hose clamp 3,6x20,6	-	-	-	-	-	GU14609650	23	-
	Hose clamp 2,4x92	-	-	-	-	-	GU49609601	5	-
33	Screw w/ flange M6X25	-	-	-	-	-	AP8152280	2	-
34	Self-locking nut M6*	-	-	-	-	-	AP8152299	2	-
35	Mini-relay A1001A402	-	-	-	-	-	GU01732560	3	CD189
36	Washer 5,25x14x1,5	-	-	-	-	-	GU95100059	2	-
37	Self-locking nut M5*	-	-	-	-	-	AP8152306	2	-
38	Relay 12V/30A	-	-	-	-	-	AP8224462	1	-
39	Rubber spacer *	-	-	-	-	-	AP8220283	1	-
40	Plate	-	-	-	-	-	883148	1	-
41	Fuse 10A	-	-	-	-	-	977771	1	CA349

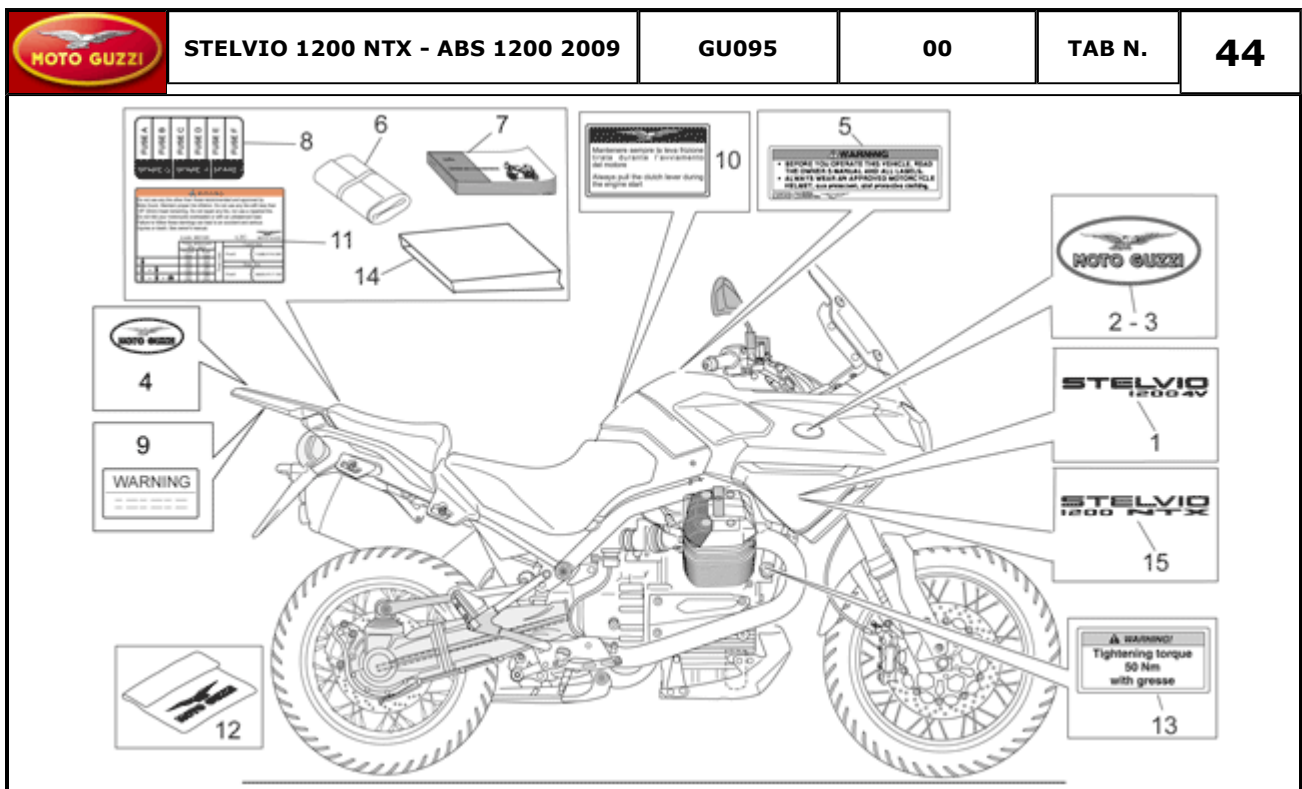
	STELVIO 1200 NTX - ABS 1200 2009	GU095	00	TAB N.	42
	ELECTRICAL SYSTEM II				



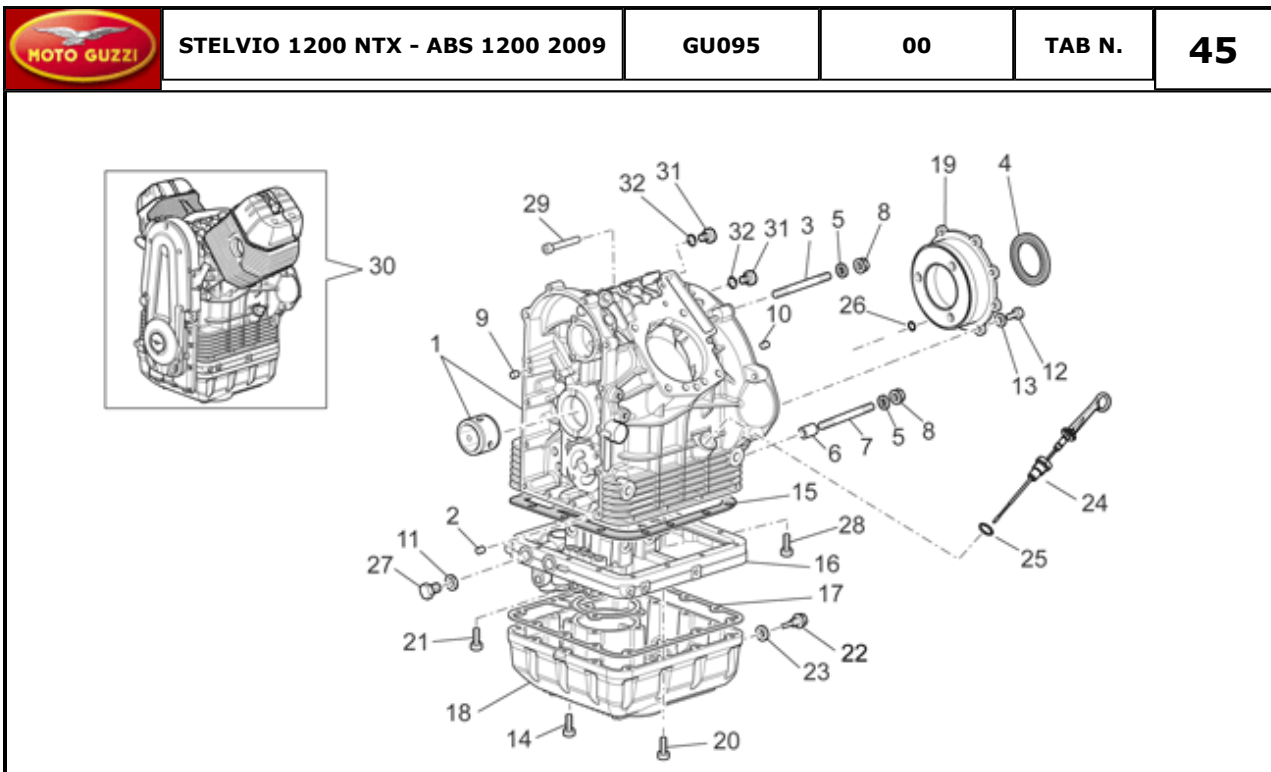
Pos.	Description	Year	I_M	Country	Version	Code	Q.ty	P.Cod.
1	Main wiring harness	-	-	-	abs	883224	1	CA009
	Main wiring harness	-	-	-	noabs	978448	1	CA009
2	Battery 12V-20Ah	-	-	-	-	GU05704531	1	CC009
3	Wiring	-	-	-	-	883628	1	CA079
4	Rubber fuse box	-	-	-	-	AP8112811	1	CA069
5	Fuse 30A	-	-	-	-	GU28742562	2	CA349
6	Fuse ABS-40A	-	-	-	-	977762	2	CA349
7	Ground-battery lead	-	-	-	-	GU06747900	1	CA039
8	Security sensor	-	-	-	-	584509	1	CA369
9	Rubber sensor support	-	-	-	-	AP8144046	1	-
10	Washer 8,4x15x1,7	-	-	-	-	GU95129131	1	-
11	Nut M8x1,25	-	-	-	-	GU92609408	1	-
12	Socket	-	-	-	-	AP8124768	1	CA369
13	Support plate	-	-	-	-	883063	1	-
14	Hex socket screw M5X10	-	-	-	-	GU98350210	2	-
15	Washer 5,3x10x0,8	-	-	-	-	GU95008205	2	-
16	Cap nut M5x0,8	-	-	-	-	GU92787205	2	-
17	Hose clamp	-	-	-	-	GU06609600	9	-
18	Hose clamp 3,6x20,6	-	-	-	-	GU14609650	23	-
	Hose clamp 2,4x92	-	-	-	-	GU49609601	5	-
	Hose clamp 3,6x375	-	-	-	-	GU93304390	2	-
19	Insulating cap	-	-	-	-	977916	1	-



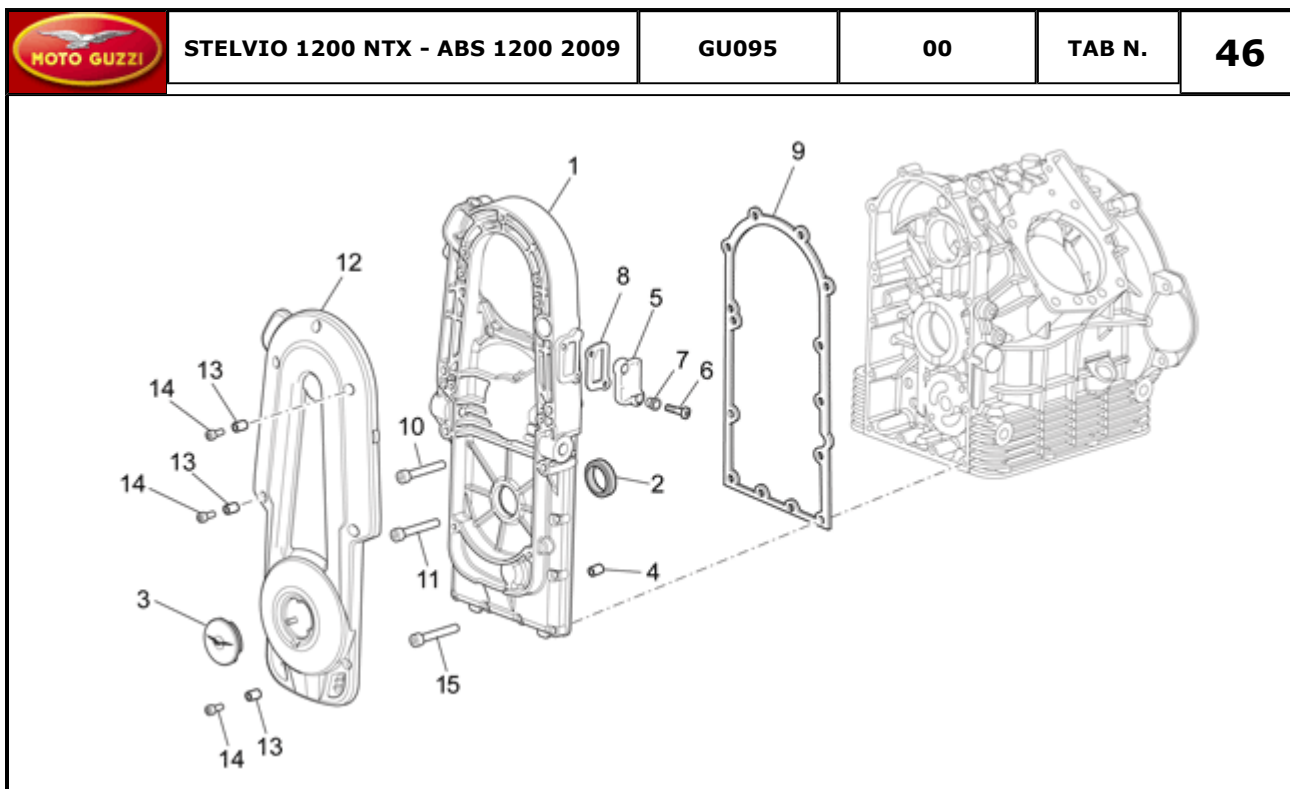
Pos.	Description	Year	I_M_	Country	Version	Code	Q.ty	P.Cod.
1	Lock hardware kit	-	-	-	-	977666	1	DH009
2	Tank cap	-	-	-	-	GU05103930	1	DA029
3	Main switch - steering lock	-	-	-	-	GU05782530	1	DH029
4	Saddle lock	-	-	-	-	GU05466830	1	DH039
5	Rotor kit with key	-	-	-	-	978220	1	DH099
6	Non indented key blank	-	-	-	-	977918	1	DH099
7	Support plate	-	-	-	-	883038	1	-
8	Front box lock	-	-	-	-	AP8127650	1	CE519
9	Screw M4x35	-	-	-	-	883042	2	-
10	Nut	-	-	-	-	GU92630204	2	-
11	Washer	-	-	-	-	GU95021204	2	-
12	Lock cable	-	-	-	-	883080	1	HA209
13	Box lock	-	-	-	-	CM023705	1	DH089
14	Screw w/ flange M5x12	-	-	-	-	AP8152272	2	-
15	Screw w/ flange M5x9	-	-	-	-	AP8152339	2	-



Pos.	Description	Year	I_M	Country	Version	Code	Q.ty	P.Cod.
1	Decal "Stelvio 1200 4V"	-	-	-	bl-r/red-wh	978987	2	DI109
2	LH Name plate,red/gold AL	-	-	-	-	GU06917400	1	DI079
3	RH Name plate,red/gold AL	-	-	-	-	GU06917300	1	DI079
4	"Moto Guzzi" dataplate	-	-	-	-	977303	1	DI109
5	Name plate WARNING	-	-	-	-	AP8157631	1	DI079
6	Toolkit	-	-	-	-	978882	1	DG099
7	Operator's handbook I-F-D-E-NL-UK	-	-	-	ntx	883621	1	DG109
	Operator's handbook I-F-D-E-NL-UK	-	-	-	std	978426	1	DG109
8	Sticker "schema fusibili"	-	-	-	-	978647	1	DI049
9	Name plate WARNING	-	-	-	-	AP8157631	1	DI109
10	Decal Engine Start	-	-	-	-	GU05944930	1	DI049
11	Tyre pressure decal	-	-	-	-	883169	1	DI049
12	Bike cover	-	-	-	-	GU30970200	1	-
13	Decal Warning	-	-	-	-	GU05944530	1	DI079
14	Bag for document	-	-	-	-	GU05900130	1	-
15	Decal "Stelvio 1200 NTX"	-	-	-	bron	883571	2	DI109



Pos.	Description	Year	I_M	Country	Version	Code	Q.ty	P.Cod.
1	Crankcase black	-	-	-	-	976539	1	AH009
2	Pin	-	-	-	-	411209	2	-
3	Stud bolt M8X66	-	-	-	-	GU96508066	3	AH199
4	Gasket ring	-	-	-	-	GU90405367	1	AO15F
5	Washer 8,4X13X0,8	-	-	-	-	GU14615901	5	-
6	Coupling bush	-	-	-	-	GU12018900	2	-
7	Stud bolt M8x75	-	-	-	-	GU96508075	2	AH199
8	Flanged nut M8	-	-	-	-	GU92660021	5	-
9	Pin	-	-	-	-	GU95512081	2	-
10	Pin	-	-	-	-	560110	1	-
11	Gasket	-	-	-	-	GU01154230	2	-
12	Hex screw M8x25	-	-	-	-	GU98084425	8	-
13	Spring washer 8x15x0,3	-	-	-	-	GU61270300	8	-
14	Hex socket screw M6X30	-	-	-	-	GU98682330	4	-
15	Gasket	-	-	-	-	GU01003651	1	AO329
16	Flange black	-	-	-	-	976502	1	AH369
17	Gasket	-	-	-	-	GU05003630	1	AO459
18	Oil sump black	-	-	-	-	976486	1	AH269
19	Complete flange	-	-	-	-	976703	1	AI009
20	Hex socket screw m6x55	-	-	-	-	AP4ADN000007	14	-
21	Hex socket screw M6x60	-	-	-	-	GU98680360	2	-
22	Oil unload plug M10X1	-	-	-	-	GU31003766	1	AH109
23	Gasket 10x18x1,5	-	-	-	-	GU01528930	1	-
24	Oil level rod cpl.	-	-	-	-	883144	1	AH119
25	O-ring 17,86X2,62	-	-	-	-	GU90706178	1	-
26	O-ring 7,5X2	-	-	-	-	874980	1	AO15F
27	Plug	-	-	-	-	GU95980216	2	-
28	Hex socket screw M6X40	-	-	-	-	GU98680340	2	-
29	Screw w/ flange M8x45*	-	-	-	-	AP8152291	1	-
30	Engine cpl.	-	-	-	-	976966	1	A9989
31	Oil plug	-	-	-	-	GU12022600	2	-
32	O-ring 20,24X2,62	-	-	-	-	GU90706203	2	-



Pos.	Description	Year	I_M	Country	Version	Code	Q.ty	P.Cod.
1	Timing cover black	-	-	-	-	976480	1	AH359
2	Gasket ring 22x35x7viton	-	-	-	-	GU90412237	1	AO15E
3	Plug	-	-	-	-	GU05002130	1	-
4	Pin 11,8X10	-	-	-	-	825597	2	-
5	Plug	-	-	-	-	976554	1	-
6	Hex socket screw M6x20	-	-	-	-	GU98682320	2	-
7	Bush 6,4x8,4x10,5	-	-	-	-	GU91120607	2	-
8	O-ring 34,65x1,78viton	-	-	-	-	GU90706347	1	-
9	Cover gasket	-	-	-	-	976478	1	AO449
10	Hex socket screw M8x55	-	-	-	-	AP8150046	4	-
11	Hex socket screw M6X30	-	-	-	-	GU98682330	9	-
12	Alternator cover grey	-	-	-	-	GU05001630	1	AH039
13	Bush 6,8x8,8x5,8	-	-	-	-	GU91120606	6	-
14	Hex socket screw M6x16	-	-	-	-	GU98682316	5	-
15	Hex socket screw M6x35	-	-	-	-	GU98680335	1	-



STELVIO 1200 NTX - ABS 1200 2009

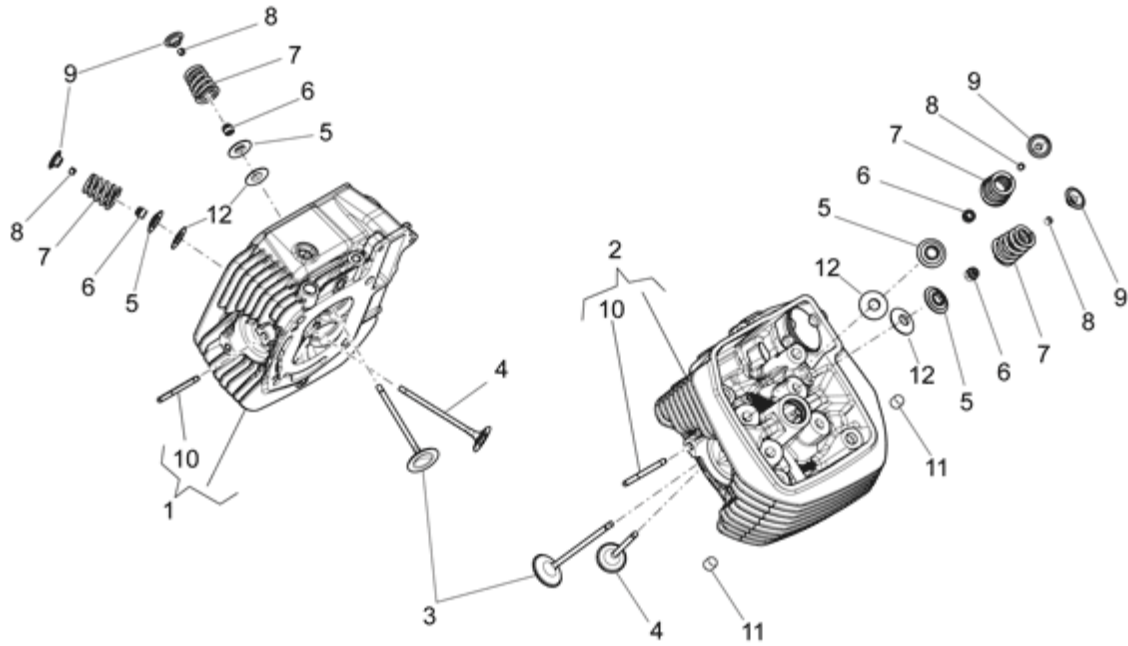
GU095

00

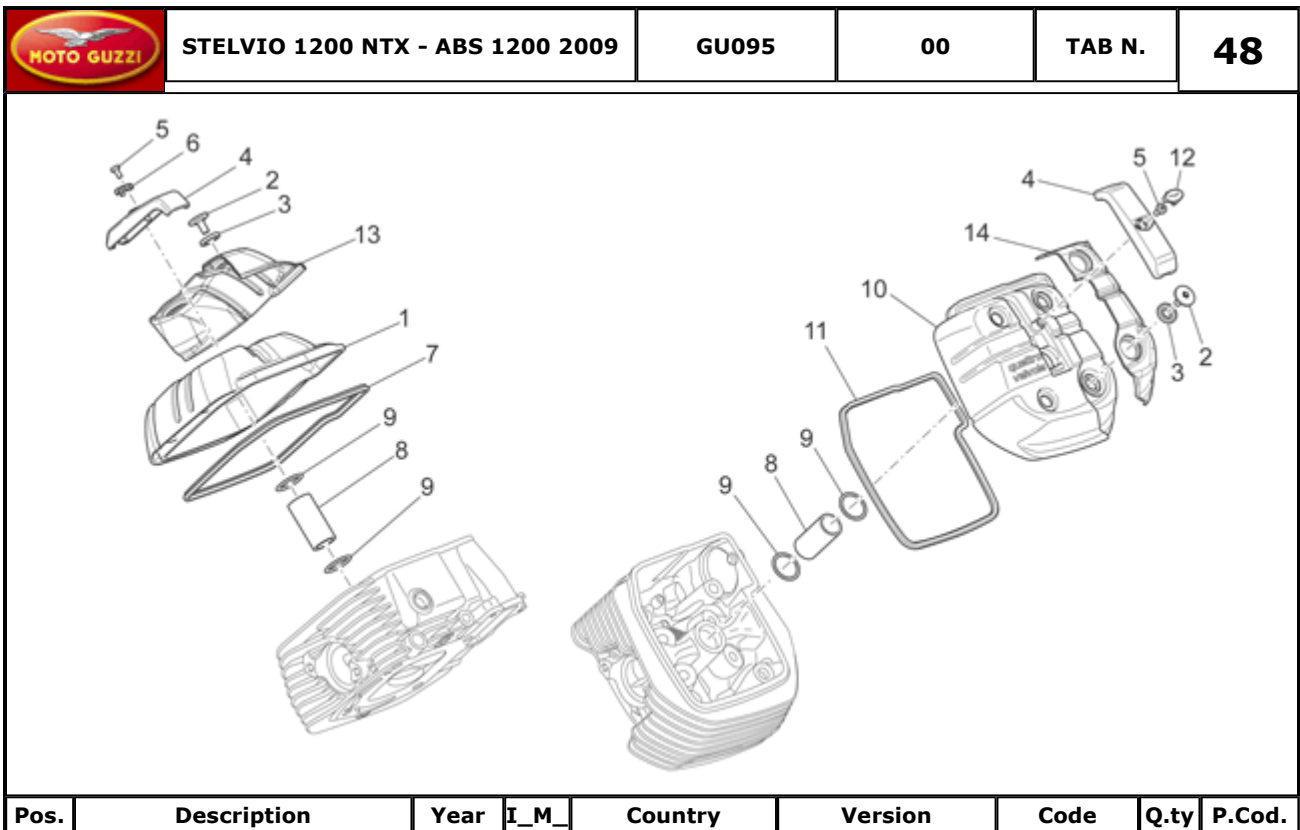
TAB N.

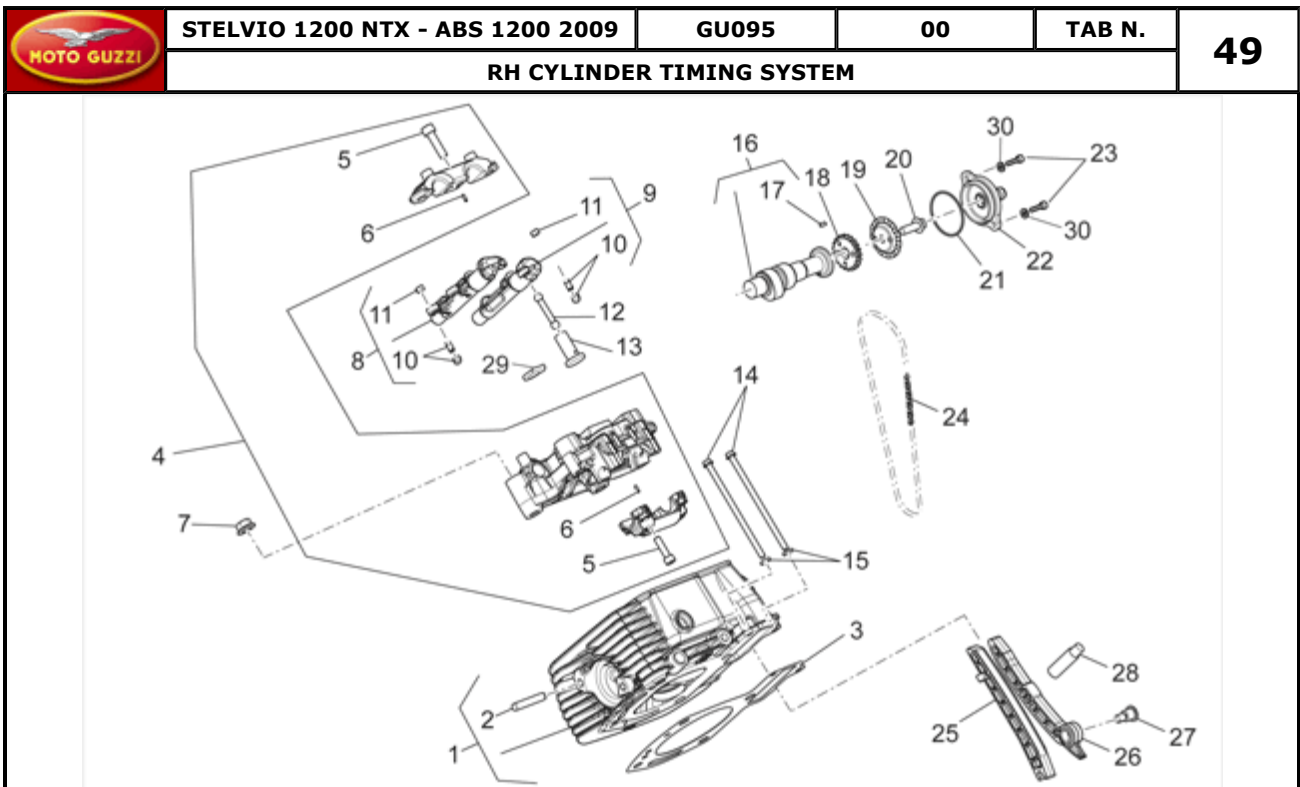
47

CYLINDER HEAD - VALVES

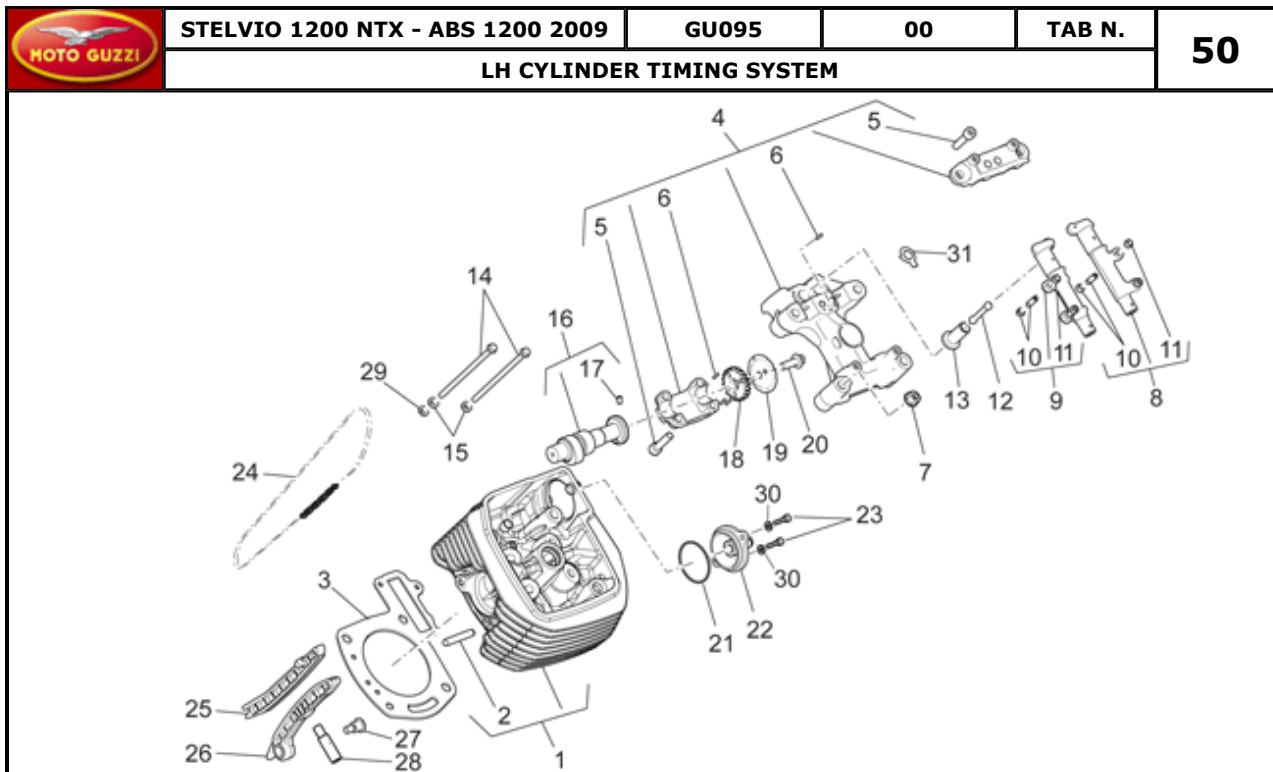


Pos.	Description	Year	I_M_	Country	Version	Code	Q.ty	P.Cod.
1	RH cylinder head	-	-	-	-	877859	1	AA00A
2	LH cylinder head	-	-	-	-	877849	1	AA00B
3	Intake valve	-	-	-	-	872695	4	AA01N
4	Exhaust valve	-	-	-	-	872696	4	AA01O
5	Lower cup	-	-	-	-	874127	8	-
6	Valve gasket ring	-	-	-	-	436438	8	AO20*
7	Valve spring	-	-	-	-	874335	8	AA02*
8	Valve half-cone	-	-	-	-	285846	8	AA03*
9	Upper cup	-	-	-	-	874126	8	-
10	Stud bolt M8X3X46	-	-	-	-	827018	4	AA15*
11	Pin 11,8X10	-	-	-	-	825597	8	-
12	Washer	-	-	-	-	877847	8	-


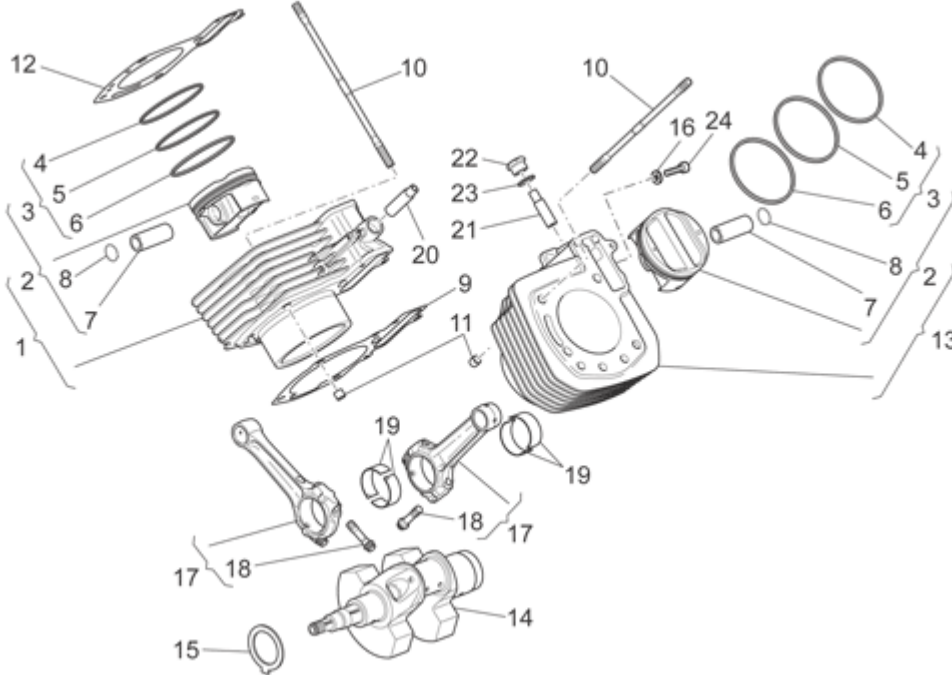


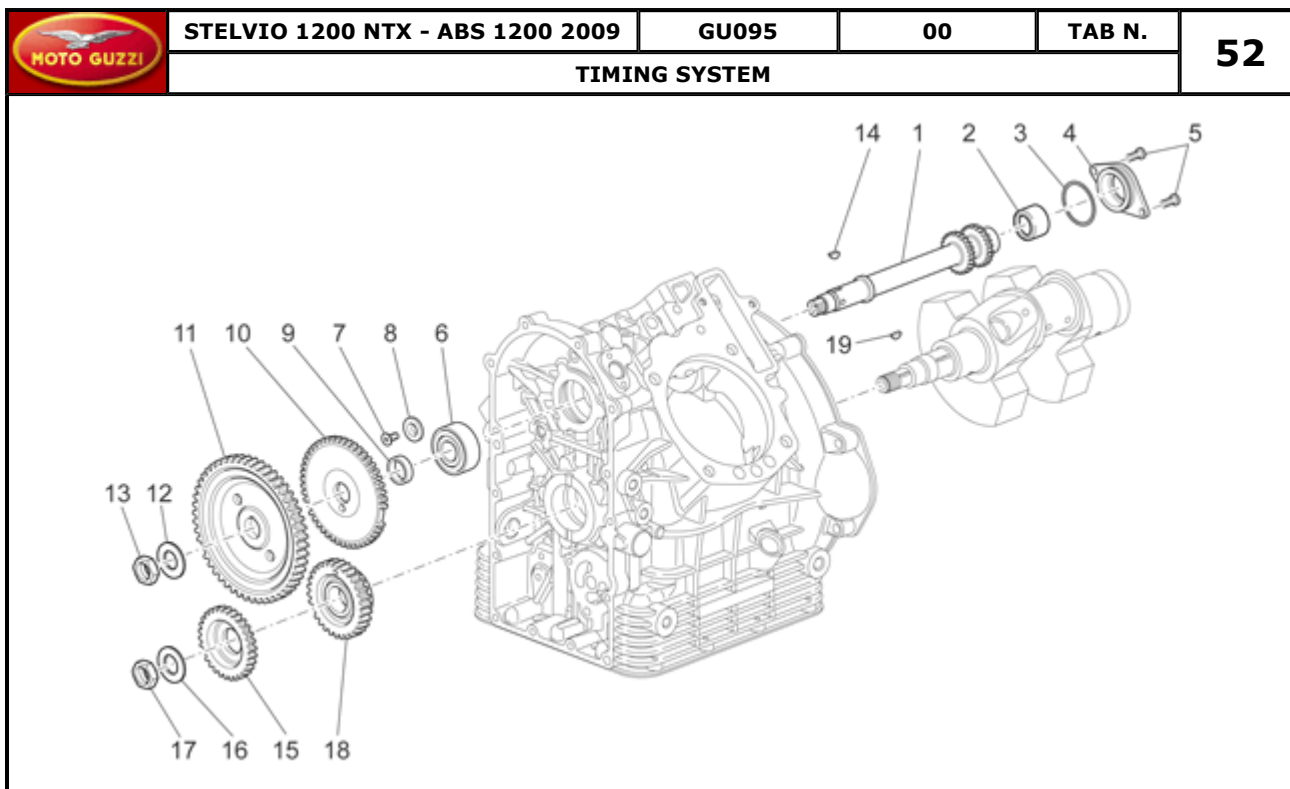


Pos.	Description	Year	I_M	Country	Version	Code	Q.ty	P.Cod.
1	RH cylinder head	-	-	-	-	877859	1	AA00A
2	Stud bolt M8X3X46	-	-	-	-	827018	4	AA15*
3	Cylinder head gasket 0,65 mm	-	-	-	-	874621	2	AO00*
	Cylinder head gasket 0,85 mm	-	-	-	-	874622	2	AO00*
	Cylinder head gasket 1,05 mm	-	-	-	-	976311	2	AO00*
4	RH.Rocker arm support	-	-	-	-	873426	1	AC38A
5	Screw	-	-	-	-	015792	6	-
6	Pin D. 2,5	-	-	-	-	872759	4	-
7	Nut M10X1,25 6H	-	-	-	-	833520	8	-
8	Rocker arm assy.	-	-	-	-	976359	1	AC08*
9	Rocker arm assy.	-	-	-	-	976360	1	AC08*
10	Adjuster screw	-	-	-	-	873850	4	AC099
11	Nut	-	-	-	-	484819	4	-
12	Rocker arm rod	-	-	-	-	873631	4	AC319
13	Tappet closing	-	-	-	V2	877725	4	AC309
	Tappet closing	-	-	-	V1	877725	4	AC309
14	Screw w/ flange M6x120	-	-	-	-	487444	2	-
15	Plain washer 12x6,1x2	-	-	-	-	976674	2	-
16	Camshaft	-	-	-	-	877867	1	AC059
17	Pin	-	-	-	-	976589	1	-
18	Timing gear	-	-	-	-	976350	1	AC139
19	sheet oil breather	-	-	-	-	874601	1	-
20	Screw w/ flange	-	-	-	-	843060	1	-
21	O-ring 44.17X1.78	-	-	-	-	976584	1	-
22	Breather cover cpl.	-	-	-	-	976690	1	-
23	Screw	-	-	-	-	GU98622214	2	-
24	Camshaft chain	-	-	-	-	976341	1	AC149
25	Chain guide plate	-	-	-	-	976338	1	AC169
26	Chain tensioner sliding block	-	-	-	-	976337	1	AC159
27	Spacer screw	-	-	-	-	974228	1	-
28	RH chain tensioner	-	-	-	-	873689	1	AC279
29	Plate	-	-	-	-	874805	1	-
30	Spring washer 5,3X10X0,5	-	-	-	-	GU95129100	2	-


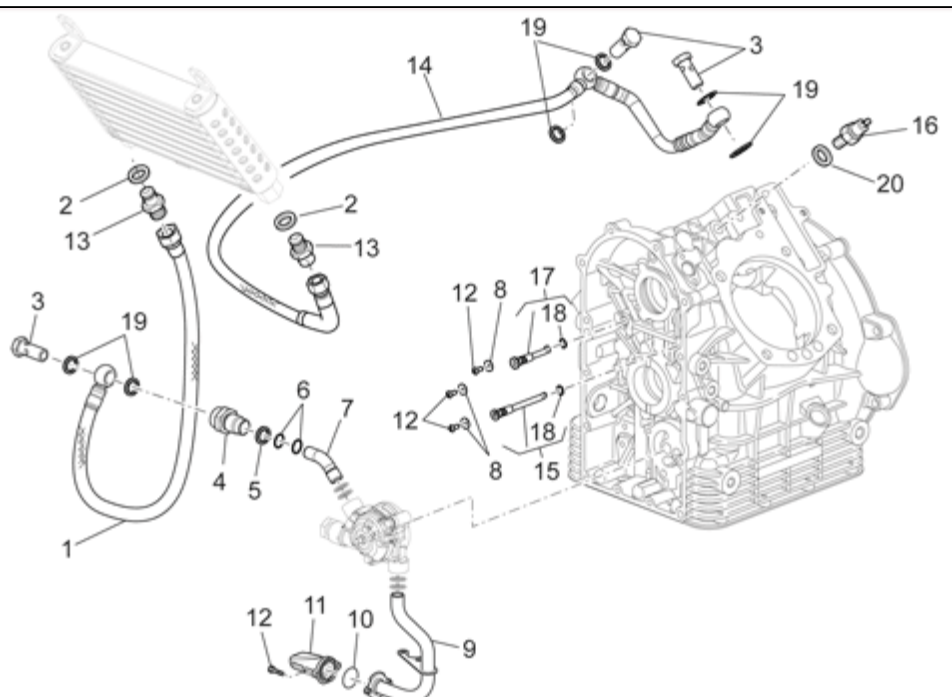


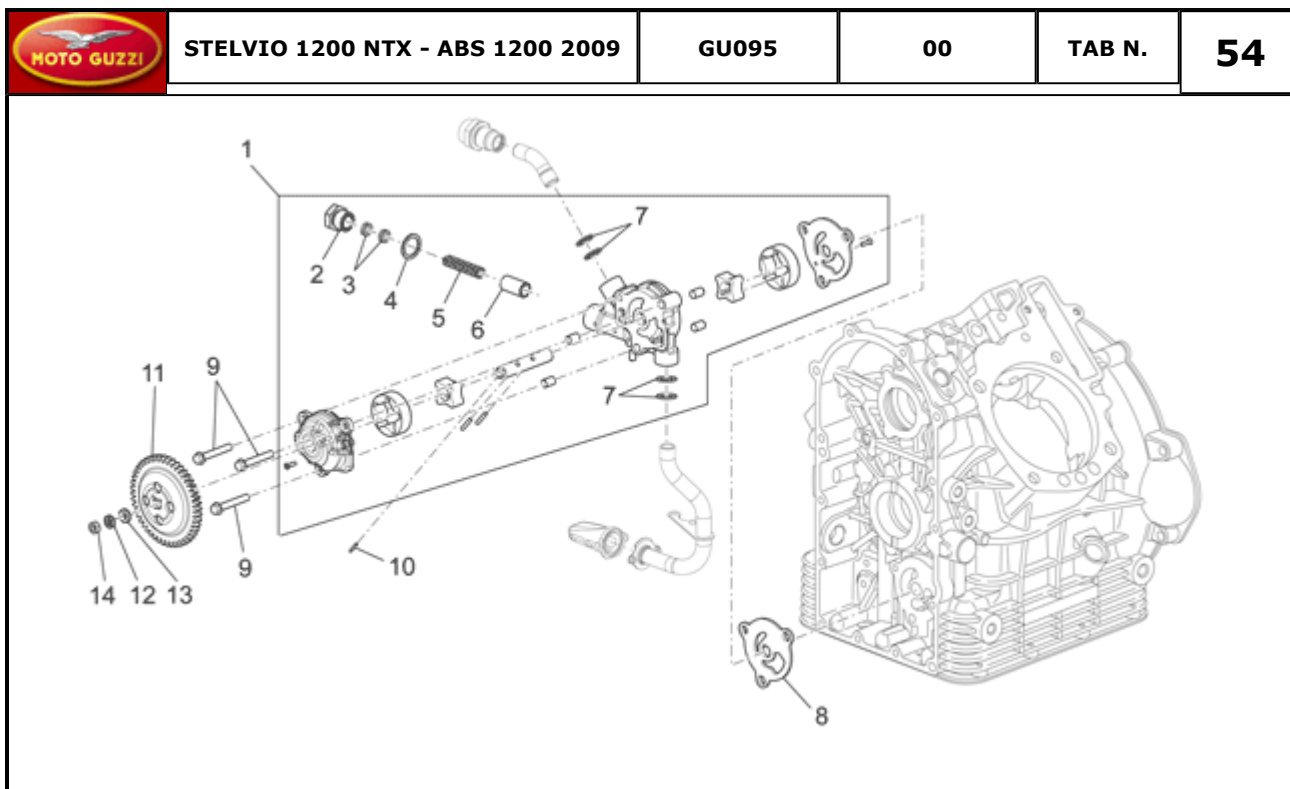
Pos.	Description	Year	I_M_	Country	Version	Code	Q.ty	P.Cod.
1	LH cylinder head	-	-	-	-	877849	1	AA00B
2	Stud bolt M8X3X46	-	-	-	-	827018	4	AA15*
3	Cylinder head gasket 0,65 mm	-	-	-	-	874621	2	AO01*
	Cylinder head gasket 0,85 mm	-	-	-	-	874622	2	AO01*
	Cylinder head gasket 1,05 mm	-	-	-	-	976311	2	AO01*
4	LH.Rocker arm support	-	-	-	-	873425	1	AC38B
5	Screw	-	-	-	-	015792	6	-
6	Pin D. 2,5	-	-	-	-	872759	4	-
7	Nut M10X1,25 6H	-	-	-	-	833520	8	-
8	Rocker arm assy.	-	-	-	-	976359	1	AC08*
9	Rocker arm assy.	-	-	-	-	976360	1	AC08*
10	Adjuster screw	-	-	-	-	873850	4	AC099
11	Nut	-	-	-	-	484819	4	-
12	Rocker arm rod	-	-	-	-	873631	4	AC319
13	Tappet closing	-	-	-	V1	877322	4	AC309
	Tappet closing	-	-	-	V2	877725	4	AC309
14	Screw w/ flange M6x120	-	-	-	-	487444	2	-
15	Plain washer 12x6,1x2	-	-	-	-	976674	2	-
16	Camshaft	-	-	-	-	877867	1	AC059
17	Pin	-	-	-	-	976589	1	-
18	Timing gear	-	-	-	-	976350	1	AC139
19	sheet oil breather	-	-	-	-	874601	1	-
20	Screw w/ flange	-	-	-	-	843060	1	-
21	O-ring 44.17X1.78	-	-	-	-	976584	1	-
22	Breather cover cpl.	-	-	-	-	976690	1	-
23	Screw	-	-	-	-	GU98622214	2	-
24	Camshaft chain	-	-	-	-	976341	1	AC149
25	Chain guide plate	-	-	-	-	976338	1	AC169
26	Chain tensioner sliding block	-	-	-	-	976337	1	AC159
27	Spacer screw	-	-	-	-	974228	1	-
28	LH chain tensioner	-	-	-	-	873690	1	AC279
29	Spacer	-	-	-	-	244585	1	-
30	Spring washer 5,3X10X0,5	-	-	-	-	GU95129100	2	-
31	Plate	-	-	-	-	874805	1	-

		STELVIO 1200 NTX - ABS 1200 2009	GU095	00	TAB N.	51		
DRIVE SHAFT - CYLINDER								
								
Pos.	Description	Year	I_M	Country	Version	Code	Q.ty	P.Cod.
1	Cylinder with piston assy., RH	-	-	-	-	981008	1	AB00*
2	Piston D95 cpl	-	-	-	-	873667	2	AB01*
3	Pistonring set	-	-	-	-	981009	2	AB02*
4	Piston ring	-	-	-	-	874287	2	AB02*
5	Piston ring	-	-	-	-	874288	2	AB02*
6	Piston ring	-	-	-	-	874289	2	AB02*
7	Piston pin	-	-	-	-	874286	2	AD02*
8	Stop ring	-	-	-	-	874567	4	AD03*
9	Cylinder base gasket	-	-	-	-	976312	2	AO01*
10	Stud bolt	-	-	-	-	878275	8	AB04*
11	Pin 11,8X10	-	-	-	-	825597	4	-
12	Cylinder head gasket 1,05 mm	-	-	-	-	976311	2	AO01*
	Cylinder head gasket 0,65 mm	-	-	-	-	874621	2	AO01*
	Cylinder head gasket 0,85 mm	-	-	-	-	874622	2	AO01*
13	Cylinder with piston assy., LH	-	-	-	-	981007	1	AB00*
14	Crankshaft cpl.	-	-	-	-	8762874	1	AD009
15	Thrust washer	-	-	-	-	874293	1	-
16	Washer 6,25x10x1,5	-	-	-	-	GU95100116	1	-
17	Connecting rod cpl.	-	-	-	-	976006	2	AD01*
18	Connecting rod screw	-	-	-	-	849131	4	-
19	Bearing half-shell 1,535-1,540	-	-	-	RS	875243	4	AI109
	Bearing half-shell 1,539-1,544	-	-	-	BS	875244	4	AI109
20	RH chain tensioner	-	-	-	-	873689	1	AC27A
21	LH chain tensioner	-	-	-	-	873690	1	AC27B
22	Chain tension.plug	-	-	-	-	976342	2	-
23	Washer	-	-	-	-	849866	2	-
24	Hex socket screw M6x20	-	-	-	-	GU98350310	1	-



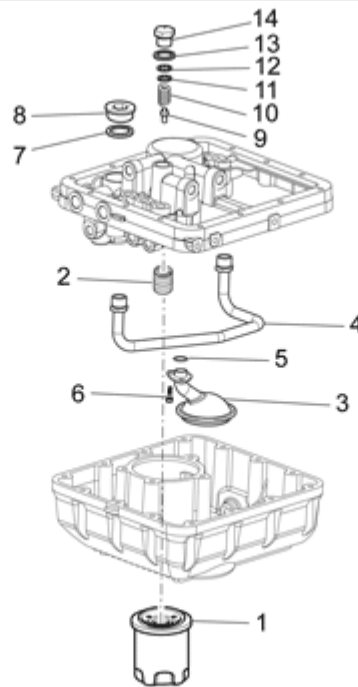
Pos.	Description	Year	I_M_	Country	Version	Code	Q.ty	P.Cod.
1	Timing system	-	-	-	-	976330	1	-
2	Roller cage 25x32x12	-	-	-	-	976381	1	-
3	O-ring 37,82x1,78	-	-	-	-	976488	1	-
4	Flange	-	-	-	-	976331	1	AC349
5	Hex socket screw M6X14	-	-	-	-	GU98350315	2	-
6	Ball bearing 20x47x18	-	-	-	-	976355	1	-
7	Screw M6x16	-	-	-	-	AP8152166	1	-
8	Washer	-	-	-	-	873928	1	-
9	Spacer	-	-	-	-	976334	1	-
10	Wheel speed sensor, left front	-	-	-	-	976538	1	AC379
11	Timing system gear	-	-	-	-	874281	1	AC13E
12	Spring washer 19x34x1,5	-	-	-	-	GU14433400	1	-
13	Nut	-	-	-	-	829232	1	-
14	Transmission key	-	-	-	-	GU91600450	1	AD099
15	Drive gear	-	-	-	-	874799	1	AJ079
16	Belleville spring	-	-	-	-	976665	1	-
17	Nut M25x1,5	-	-	-	-	976649	1	-
18	Drive gear	-	-	-	-	874280	1	AJ079
19	Transmission key 3x6,5	-	-	-	-	GU91600365	1	AD099

		STELVIO 1200 NTX - ABS 1200 2009	GU095	00	TAB N.	53		
								
Pos.	Description	Year	I_M_	Country	Version	Code	Q.ty	P.Cod.
1	Pipe	-	-	-	-	978895	1	GD019
2	Gasket	-	-	-	-	GU01154230	2	-
3	Bored screw	-	-	-	-	874223	3	-
4	Nipple	-	-	-	-	874669	1	-
5	Gasket	-	-	-	-	976569	1	-
6	O-ring 12,42x1	-	-	-	-	434947	2	-
7	Oil pipe	-	-	-	-	874646	1	AJ219
8	Washer	-	-	-	-	013763	3	-
9	Intake pipe	-	-	-	-	874645	1	AJ229
10	O-ring	-	-	-	-	969323	1	-
11	Intake oil filter	-	-	-	-	874655	1	AO239
12	Screw	-	-	-	-	581957	5	-
13	Reduction	-	-	-	-	GU01161331	2	-
14	Pipe	-	-	-	-	976625	1	AJ319
15	LH Nozzle	-	-	-	-	976680	1	-
16	Pressure sensor	-	-	-	-	978854	1	AN039
17	RH Nozzle	-	-	-	-	976681	1	-
18	O-ring	-	-	-	-	874238	4	-
19	Copper gasket	-	-	-	-	168077	6	-
20	Gasket 12,25	-	-	-	-	GU12006400	1	-


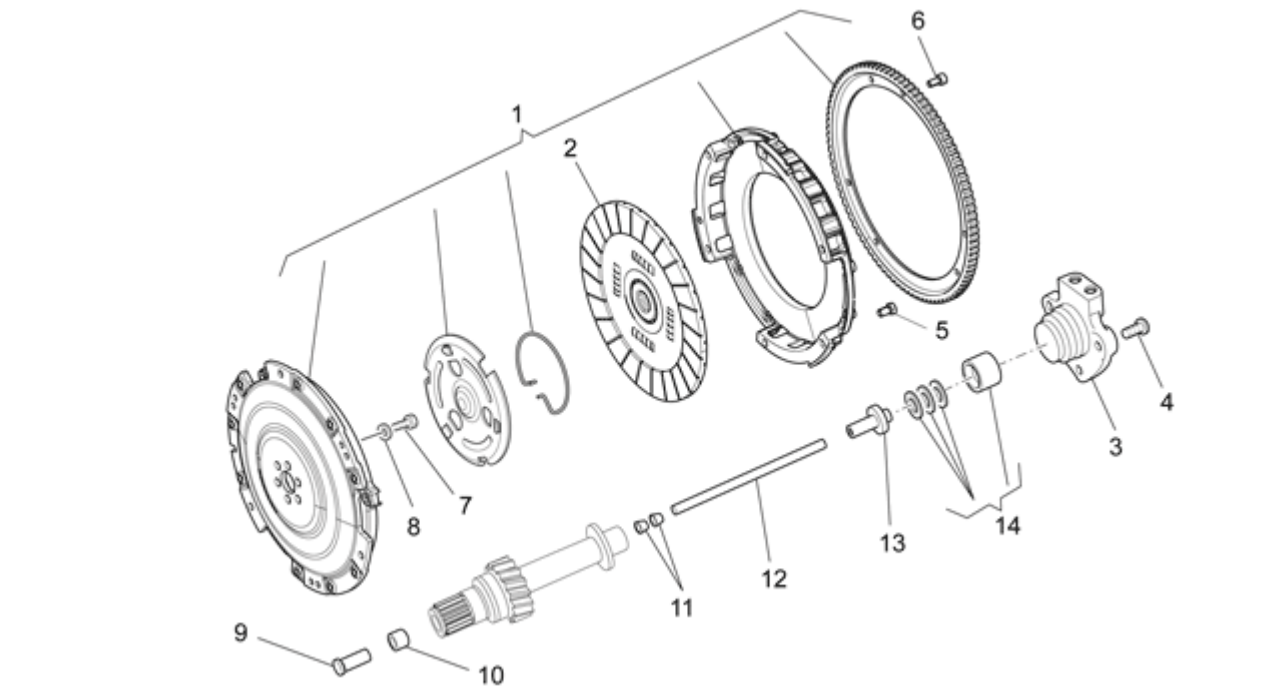



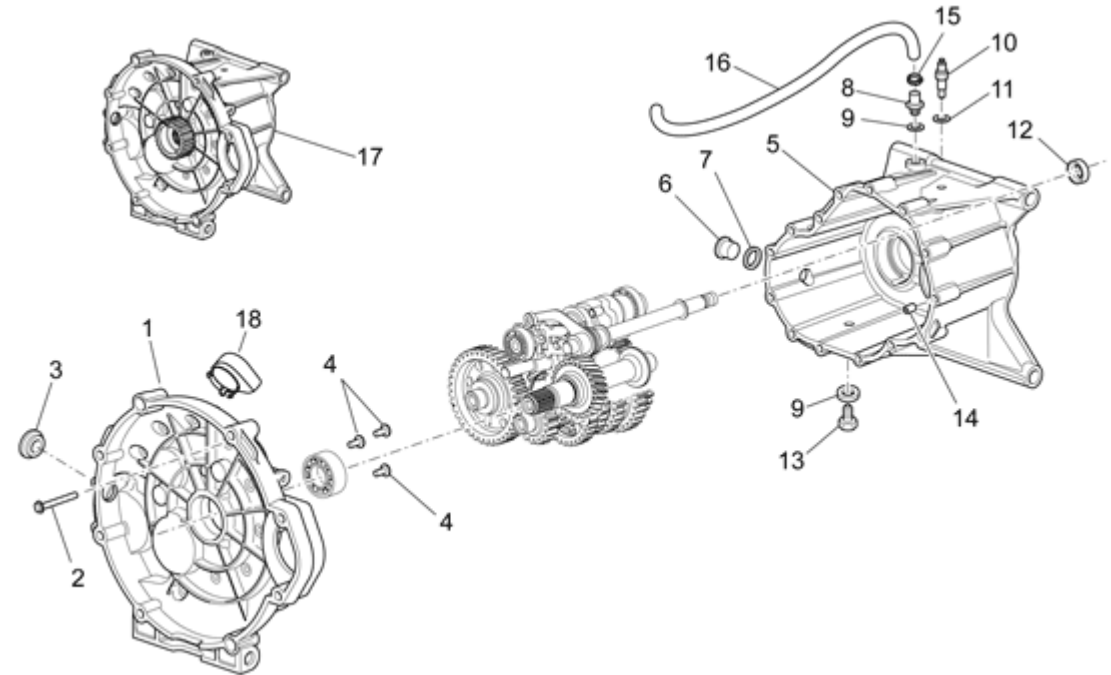
Pos.	Description	Year	I_M_	Country	Version	Code	Q.ty	P.Cod.
1	Oil pump assy.	-	-	-	-	874650	1	AJ059
2	Plug	-	-	-	-	GU31159050	1	AJ129
3	Washer	-	-	-	-	GU30158900	2	AJ129
4	Washer 18,25x24x1	-	-	-	-	GU18144350	1	AJ129
5	Spring	-	-	-	-	829486	1	AJ129
6	Oil pressure valve	-	-	-	-	829661	1	AJ119
7	O-ring	-	-	-	-	237553	4	AO139
8	Gasket	-	-	-	-	874482	1	AO139
9	Screw M6X45	-	-	-	-	414835	3	-
10	Pin 2x13,8	-	-	-	-	874801	1	-
11	Oil pump gear	-	-	-	-	874616	1	AJ079
12	Washer 6,4x12	-	-	-	-	GU03013800	1	-
13	Washer 6,4x13x1,5	-	-	-	-	GU95005306	1	-
14	Low nut	-	-	-	-	873906	1	-

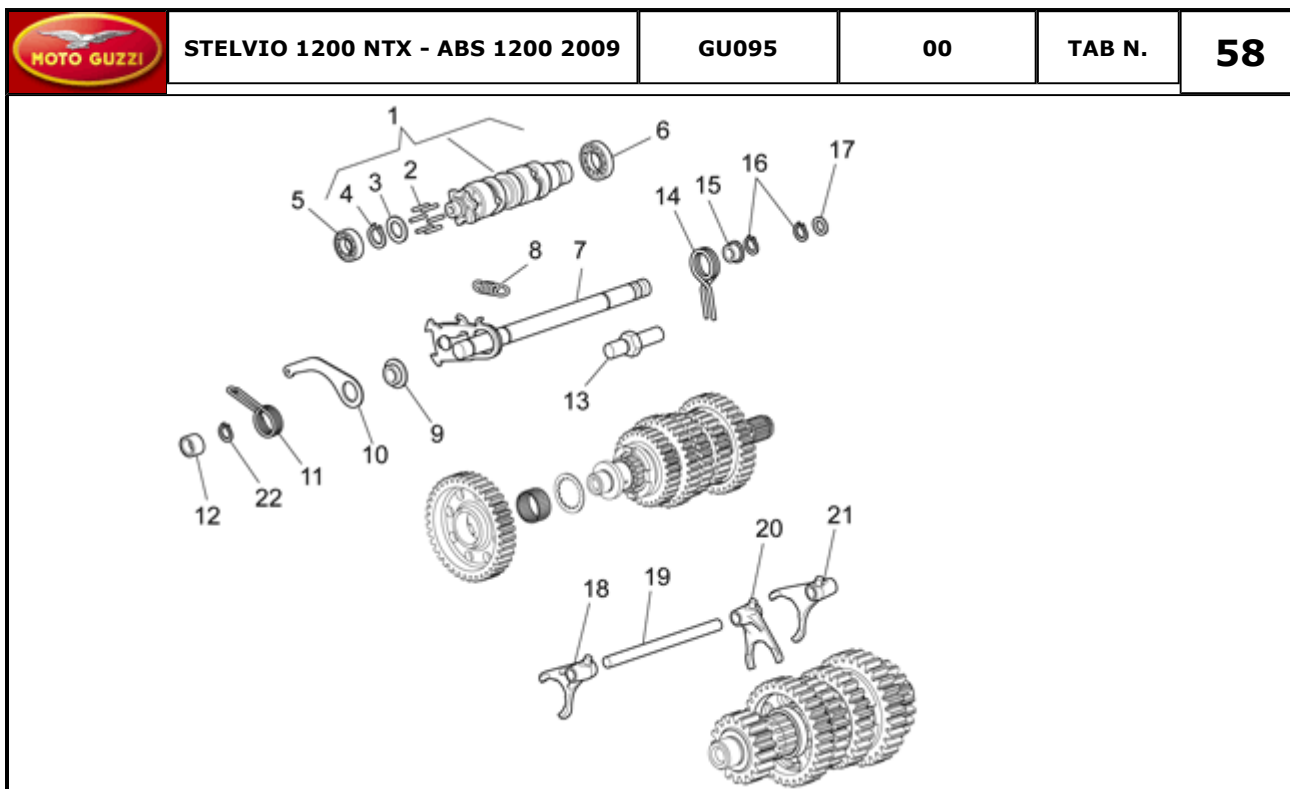
	STELVIO 1200 NTX - ABS 1200 2009	GU095	00	TAB N.	55
	OIL FILTERS				



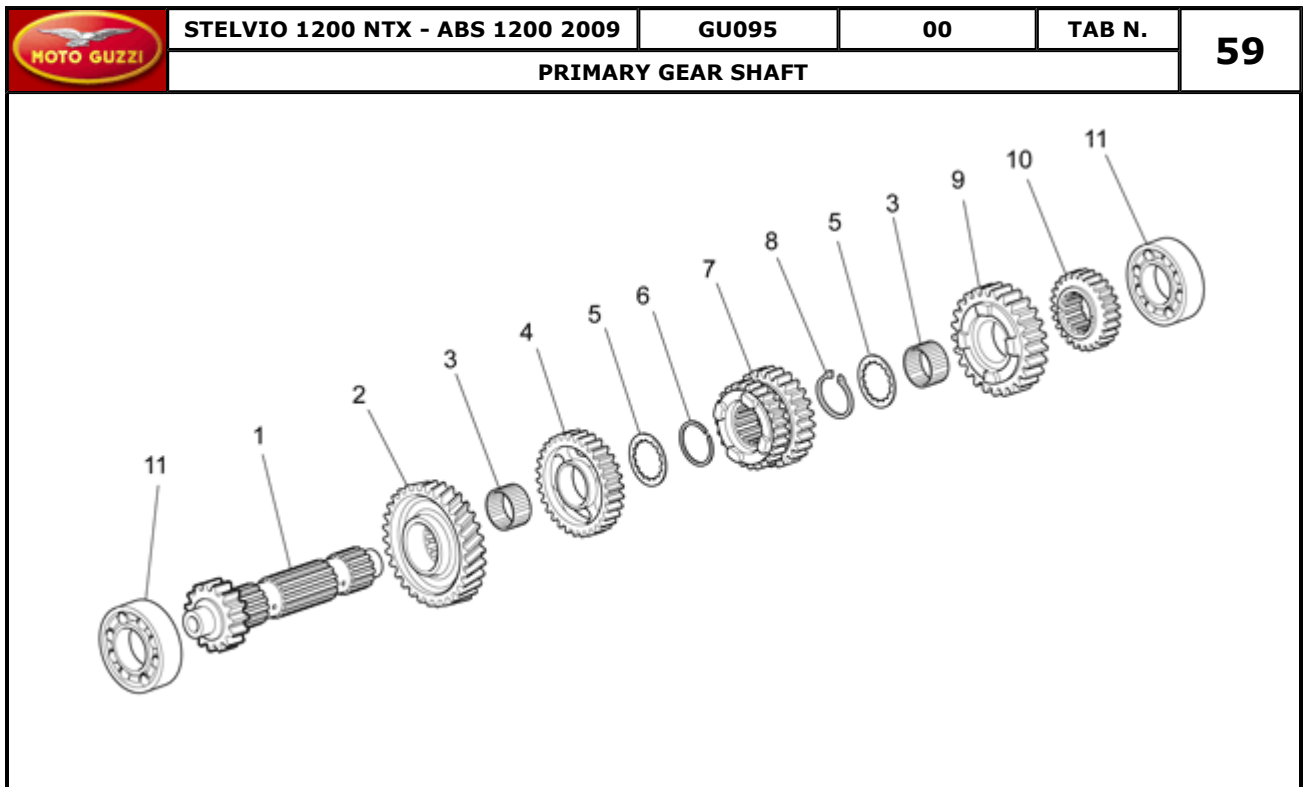
Pos.	Description	Year	I_M	Country	Version	Code	Q.ty	P.Cod.
1	Oil filter	-	-	-	-	GU30153000	1	AO229
2	Oil filter union	-	-	-	-	829122	1	-
3	Oil filter	-	-	-	-	GU05152230	1	A0239
4	Pipe	-	-	-	-	GU05005730	1	AJ219
5	O-ring 15,08x2,62viton	-	-	-	-	GU90706151	1	-
6	Hex socket screw M6x18	-	-	-	-	GU98682318	2	-
7	Copper gasket	-	-	-	-	976636	1	AJ139
8	Plug	-	-	-	-	976635	1	AJ139
9	Piston	-	-	-	-	GU30150900	1	AJ129
10	Spring	-	-	-	-	GU94321077	1	AJ129
11	Washer 6,15x11x0,8	-	-	-	-	GU95008206	2	AJ129
12	Washer	-	-	-	-	GU30158900	1	AJ129
13	Washer 18,25x24x1	-	-	-	-	GU18144350	1	AJ129
14	Plug	-	-	-	-	GU31159050	1	AJ129

		STELVIO 1200 NTX - ABS 1200 2009	GU095	00	TAB N.	56		
CLUTCH								
								
Pos.	Description	Year	I_M_	Country	Version	Code	Q.ty	P.Cod.
1	Clutch cpl.	-	-	-	-	976695	1	AF***
2	Clutch disc	-	-	-	-	976053	1	AF209
3	Clutch command cylinder	-	-	-	-	978739	1	BC139
4	Screw w/ flange M6x16*	-	-	-	-	AP8152278	3	-
5	Hex socket screw M7x16	-	-	-	-	976535	6	-
6	Screw	-	-	-	-	GU98230612	6	-
7	Screw w/ flange M8X25	-	-	-	-	976481	6	-
8	Conical spring washer 8,2X15	-	-	-	-	976484	6	-
9	Clutch drive tapped	-	-	-	-	976563	1	-
10	Bush	-	-	-	-	976564	1	-
11	Bush	-	-	-	-	GU14085900	2	-
12	Rod L=mm183	-	-	-	1T	976593	1	AF269
	Rod L=mm184,5	-	-	-	2T	976594	1	AF269
	Rod L=mm186	-	-	-	3T	976595	1	AF269
	Rod L=mm187,5	-	-	-	4T	976596	1	AF269
13	Inner body	-	-	-	-	GU14086000	1	-
14	Engine bearing set	-	-	-	-	976696	1	AI169


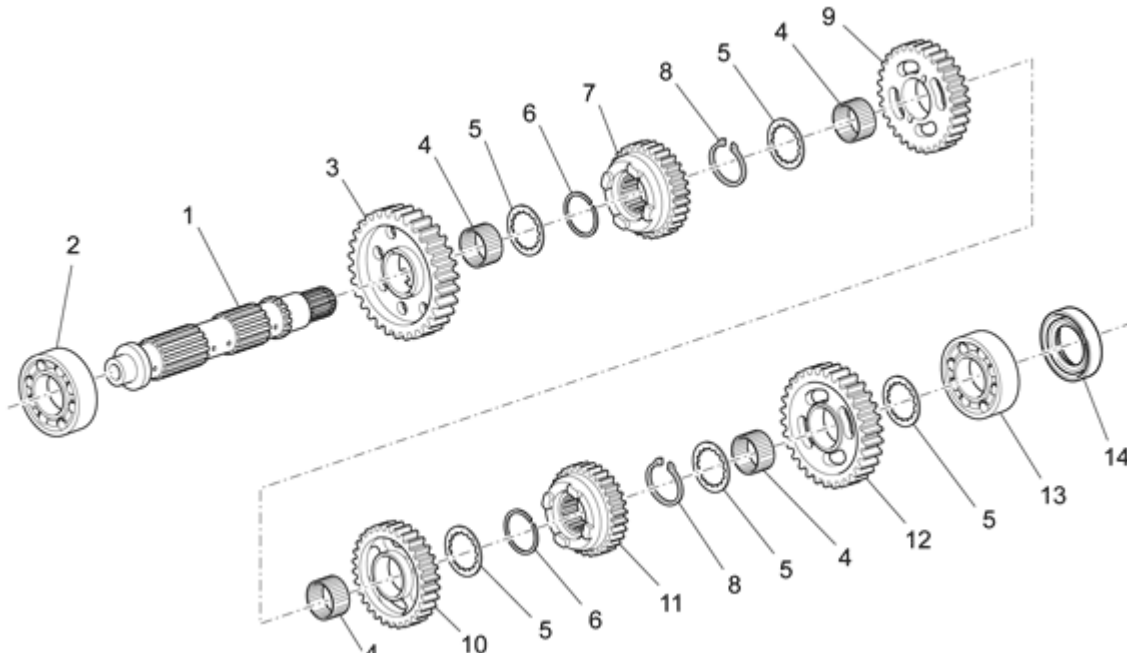
		STELVIO 1200 NTX - ABS 1200 2009	GU095	00	TAB N.	57		
TRANSMISSION CAGE								
								
Pos.	Description	Year	I_M_	Country	Version	Code	Q.ty	P.Cod.
1	Clutch drum nero	-	-	-	-	976453	1	AH049
2	Screw w/ flange M6x55	-	-	-	-	GU97202355	14	-
3	Plug	-	-	-	-	GU93180220	1	-
4	Hex socket screw M6X16	-	-	-	-	GU98370616	3	-
5	Gearbox black	-	-	-	-	976565	1	AH299
6	Oil plug M18x1,5	-	-	-	-	GU95980319	1	AH119
7	Washer 18,25x24x1	-	-	-	-	GU18144350	1	-
8	Breather plug	-	-	-	-	GU05204930	1	AJ329
9	Gasket 10x18x1,5	-	-	-	-	GU01528930	2	-
10	Sensor	-	-	-	-	GU19207220	1	AN029
11	Gasket 8,25x15x1	-	-	-	-	GU12154200	1	-
12	Gasket ring 14x24x7	-	-	-	-	GU90401424	1	AO169
13	Oil unload plug M10X1	-	-	-	-	GU31003766	1	AH109
14	Bush 6,6x9x13	-	-	-	-	GU19002020	2	-
15	Hose clamp D10,1*	-	-	-	-	AP8101595	1	-
16	Fuel pipe 5,5x10	-	-	-	-	AP8120952	1	-
17	Gear box assy	-	-	-	-	976934	1	AG099
18	Cooling pipes	-	-	-	-	976687	1	-



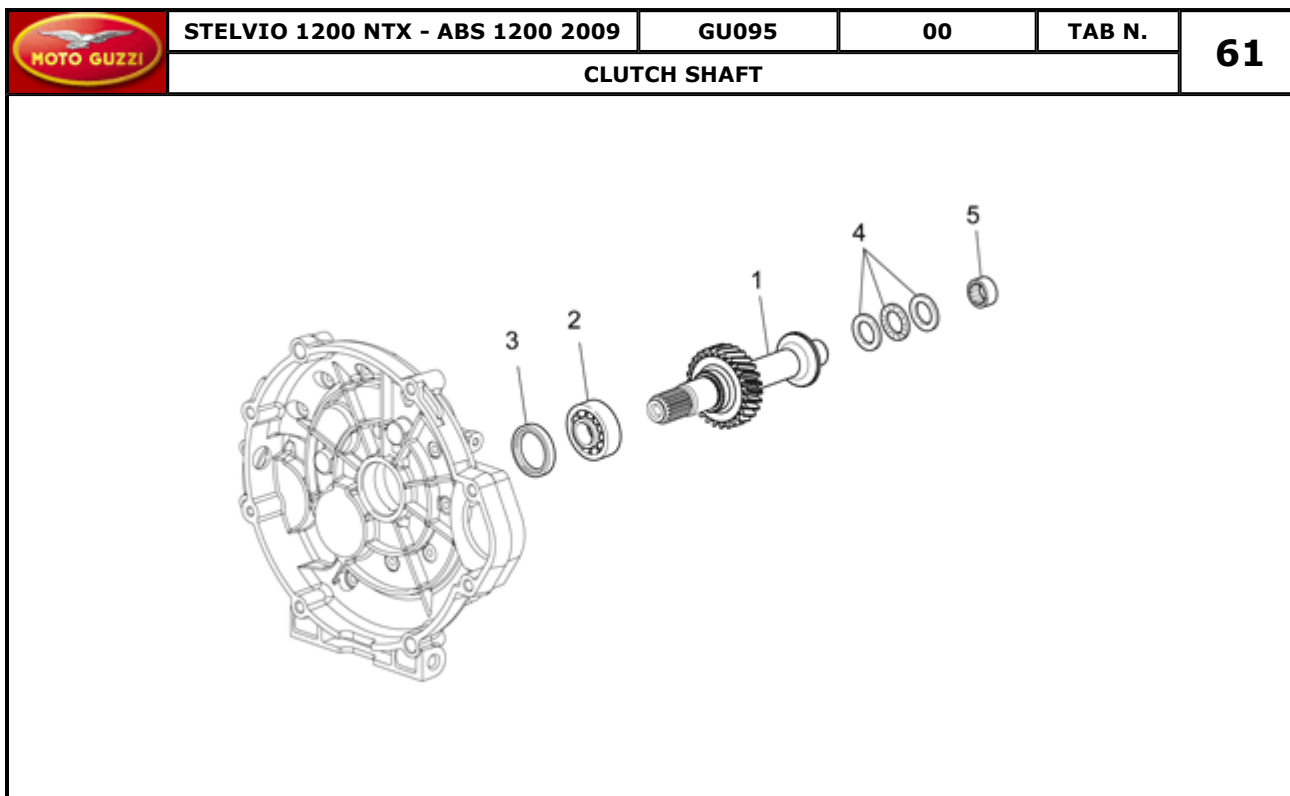
Pos.	Description	Year	I_M	Country	Version	Code	Q.ty	P.Cod.
1	Shift cam cpl.	-	-	-	-	GU05234431	1	AG039
2	Pin	-	-	-	-	GU05234631	6	-
3	Spacer	-	-	-	-	GU05235531	1	-
4	Circlip	-	-	-	-	GU90271022	1	-
5	Ball bearing 17x35x10	-	-	-	-	GU92201117	1	AI139
6	Ball bearing 25x42x9	-	-	-	-	GU92201025	1	AI139
7	Preselection complete	-	-	-	-	GU05236231	1	AG119
8	Spring	-	-	-	-	GU05238231	1	AG139
9	Bush	-	-	-	-	GU05238431	1	-
10	Lever Index	-	-	-	-	GU05234731	1	AG129
11	Spring	-	-	-	-	GU05234130	1	AG139
12	Spacer	-	-	-	-	GU05234230	1	-
13	Fixing pin	-	-	-	-	GU05234931	1	-
14	Spring	-	-	-	-	GU05238331	1	AG109
15	Spacer	-	-	-	-	GU05238131	1	-
16	Circlip	-	-	-	-	GU90271014	2	-
17	Fifth wheel	-	-	-	-	GU05239330	1	-
18	Fork 1a-3a	-	-	-	-	GU05230531	1	AG059
19	Fork shaft	-	-	-	-	GU05232431	1	AG069
20	Fork 5a-6a	-	-	-	-	GU05232631	1	AG059
21	Fork 2a-4a	-	-	-	-	GU05230831	1	AG059
22	Circlip	-	-	-	-	GU90353014	1	-



Pos.	Description	Year	I_M_	Country	Version	Code	Q.ty	P.Cod.
1	Primary gear shaft Z=17	-	-	-	-	GU05210631	1	AG00X
2	Drive gears Z=35	-	-	-	-	GU05215631	1	AG019
3	Roller cage 26x30x15,6	-	-	-	-	GU92252029	2	AI119
4	Gear 5a Z=31	-	-	-	-	GU05212031	1	AG045
5	Clearance washer	-	-	-	-	GU05214630	2	-
6	Snap ring 30x1,2SW	-	-	-	-	GU90271230	1	-
7	Gear 3a-4a Z=23-26	-	-	-	-	GU05211431	1	AG043
8	Snap ring 30x27,9	-	-	-	-	GU90271030	1	-
9	Gear 6a Z=29	-	-	-	-	GU05212631	1	AG046
10	Gear 2a Z=20	-	-	-	-	GU05211331	1	AG042
11	Ball bearing 20x52x15	-	-	-	-	GU92201822	2	AI059

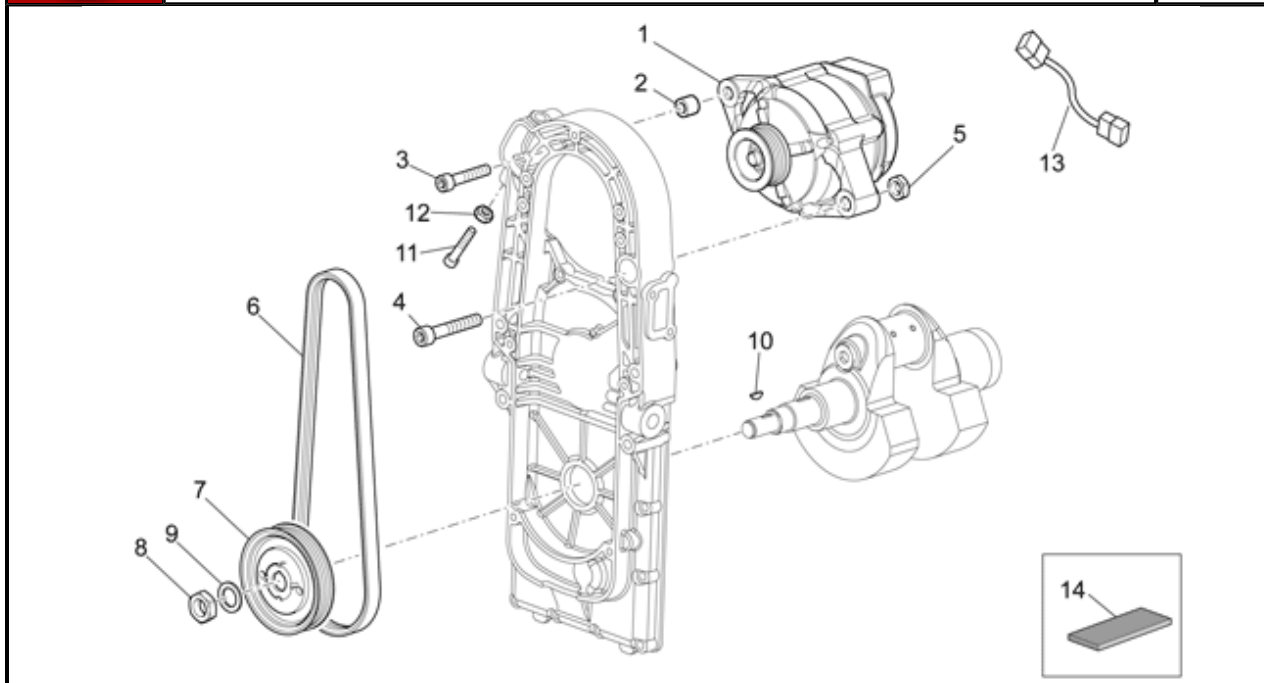
	STELVIO 1200 NTX - ABS 1200 2009	GU095	00	TAB N.	60			
	DRIVEN SHAFT							
								
Pos.	Description	Year	I_M	Country	Version	Code	Q.ty	P.Cod.

1	Driven shaft	-	-	-	-	GU05213631	1	AG00Y
2	Ball bearing 20x52x15	-	-	-	-	GU92201822	1	AI069
3	Gear 1a Z=38	-	-	-	-	GU05214231	1	AG041
4	Roller cage 26x30x15,6	-	-	-	-	GU92252029	4	AI119
5	Clearance washer	-	-	-	-	GU05214630	5	-
6	Snap ring 30x1,2SW	-	-	-	-	GU90271230	2	-
7	Gear 5a Z=30	-	-	-	-	GU05214031	1	AG045
8	Snap ring 30x27,9	-	-	-	-	GU90271030	2	-
9	Gear 3a Z=31	-	-	-	-	GU05214731	1	AG043
10	Gear 4a Z=29	-	-	-	-	GU05215031	1	AG044
11	Gear 6a Z=25	-	-	-	-	GU05220531	1	AG046
12	Gear 2a Z=34	-	-	-	-	GU05214431	1	AG042
13	Ball bearing 25x52x15	-	-	-	-	GU92201226	1	AI069
14	Gasket ring 25X40X7	-	-	-	-	GU90412541	1	AO169


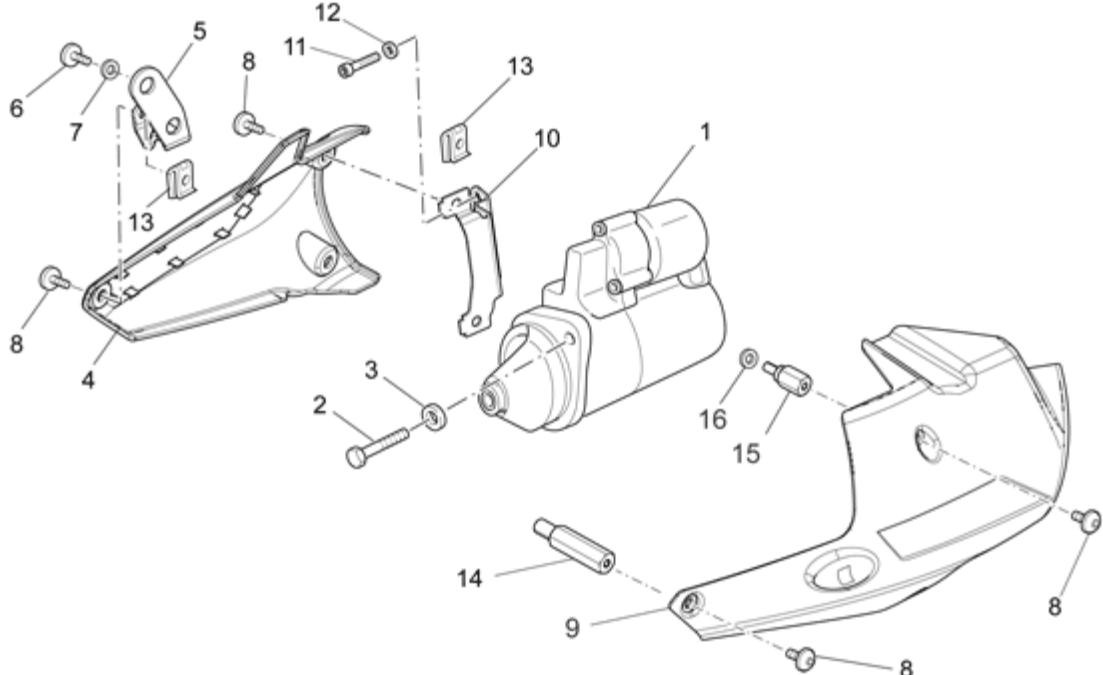



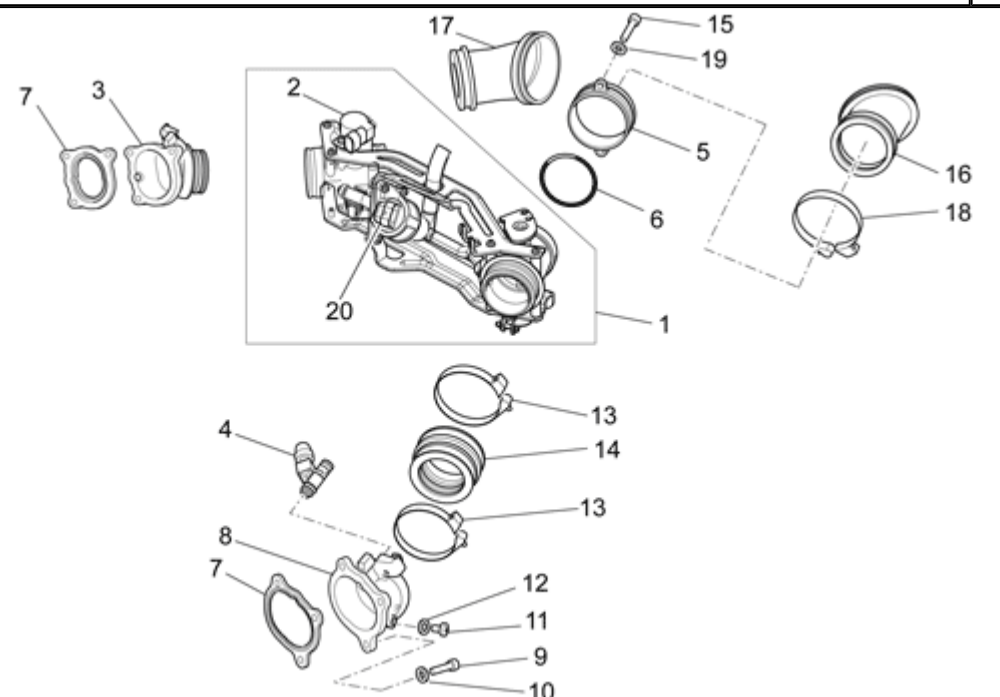
Pos.	Description	Year	I_M_	Country	Version	Code	Q.ty	P.Cod.
1	Clutch shaft Z=24	-	-	-	-	976351	1	AG259
2	Ball bearing 25x52x15	-	-	-	-	GU92201226	1	AI209
3	Gasket ring 25x47x7	-	-	-	-	976533	1	AO199
4	Thrust bearing	-	-	-	-	976532	1	AI169
5	Roller bearing 20x28x13	-	-	-	-	GU92232028	1	AI209


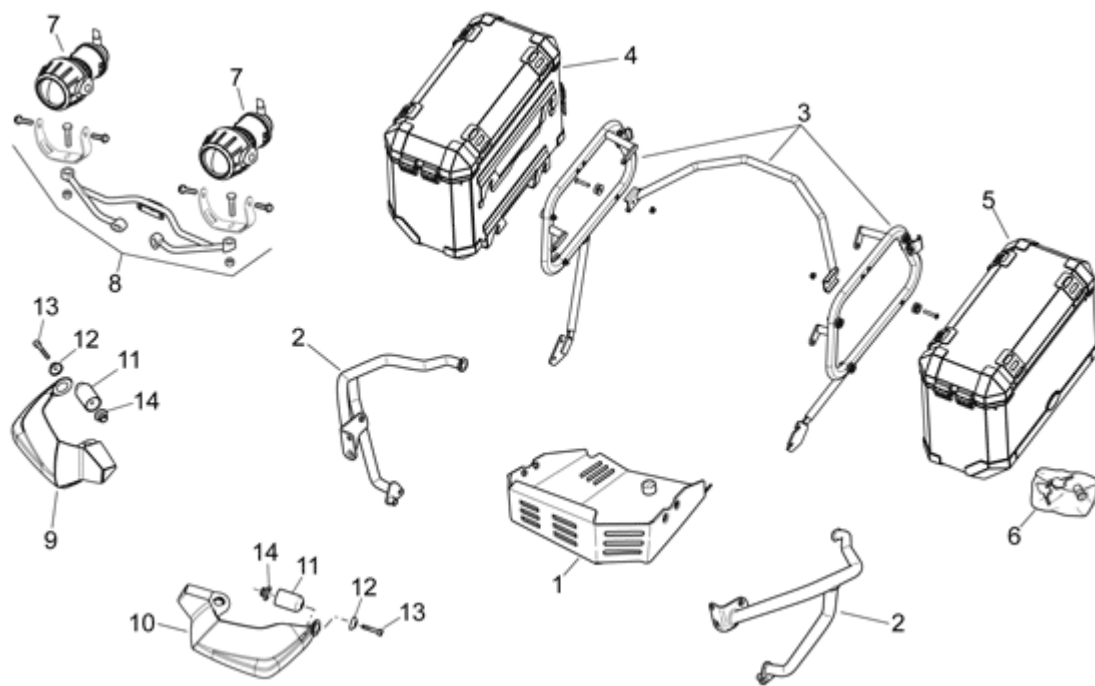
	STELVIO 1200 NTX - ABS 1200 2009	GU095	00	TAB N.	62
	CURRENT GENERATOR				


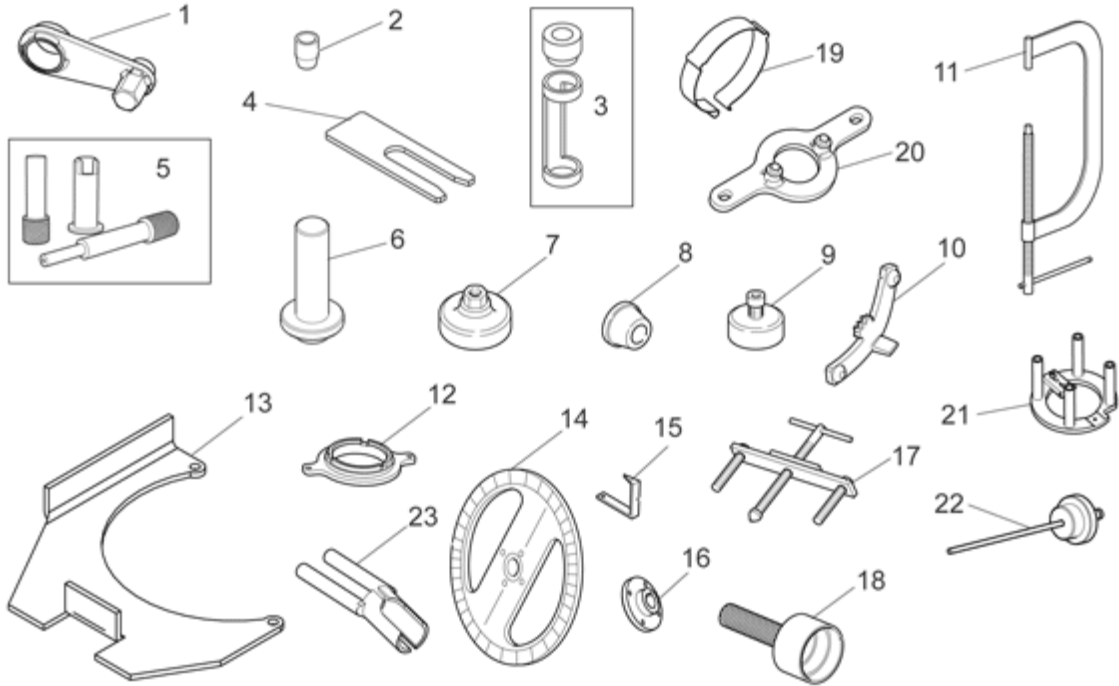



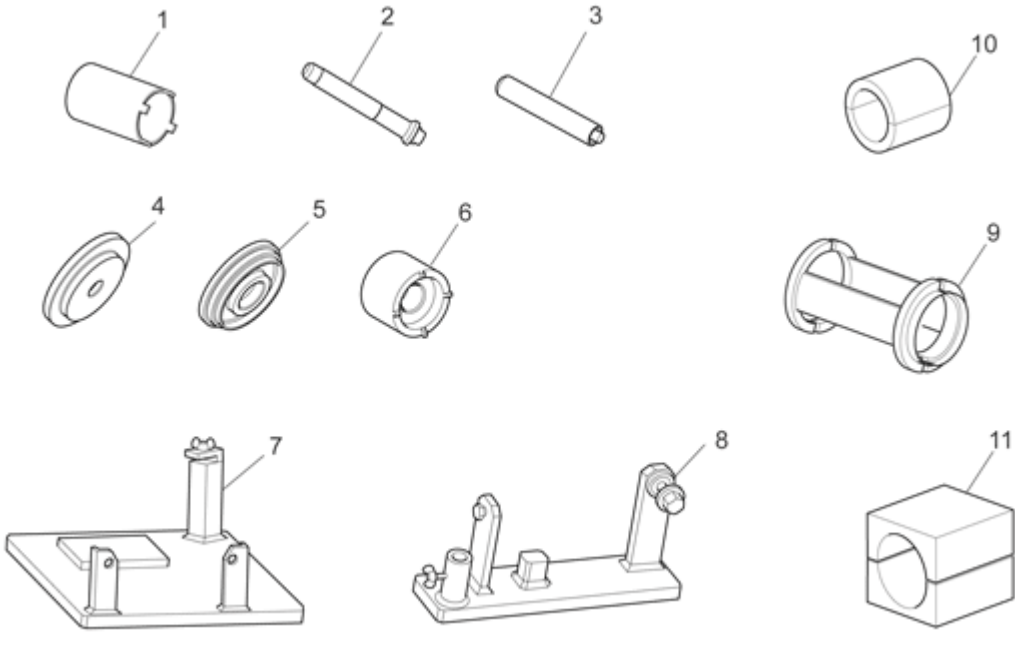
Pos.	Description	Year	I_M_	Country	Version	Code	Q.ty	P.Cod.
1	Generator	-	-	-	-	976678	1	AM129
2	Spacer 8,5x17x13	-	-	-	-	GU91180823	1	-
3	Hex socket screw M8X45	-	-	-	-	GU98620445	1	-
4	Hex socket screw M10x60	-	-	-	-	GU98620560	1	-
5	Nut M10X1,5	-	-	-	-	GU92660012	1	-
6	Belt	-	-	-	-	GU05702530	1	AM159
7	Generator lever pulley	-	-	-	-	GU05701430	1	AM149
8	Nut M16	-	-	-	-	GU92606516	1	-
9	Washer 16,25x24,5x5	-	-	-	-	GU30714201	1	-
10	Flywheel magneto key	-	-	-	-	GU4FAN000030	1	AD089
11	Hex socket screw M8x50	-	-	-	-	GU98230850	1	-
12	Nut M8x1,25	-	-	-	-	GU92605408	1	-
13	Adaptor	-	-	-	-	883220	1	-
14	Support rubber part 5mm	-	-	-	-	883127	1	-

		STELVIO 1200 NTX - ABS 1200 2009	GU095	00	TAB N.	63		
STARTER MOTOR								
								
Pos.	Description	Year	I_M	Country	Version	Code	Q.ty	P.Cod.
1	Starter motor Bosch	-	-	-	-	GU05730730	1	AK009
2	Screw M8X75	-	-	-	-	GU98082475	2	-
3	Washer 8,4X15X1,5	-	-	-	-	GU95008208	2	-
4	RH engine cover	-	-	-	-	978852	1	DD51A
5	RH support	-	-	-	-	978616	1	-
6	Hex socket screw M10X20	-	-	-	-	GU98371020	2	-
7	Washer 10,5x16x1	-	-	-	-	GU19149800	2	-
8	Screw w/ flange M5x9	-	-	-	-	AP8152339	6	-
9	LH engine cover	-	-	-	-	883141	1	DD51B
10	Rear support	-	-	-	-	978618	1	-
11	Screw w/ flange M6x55	-	-	-	-	GU97202355	2	-
12	Washer 6,4x13x1,5	-	-	-	-	GU95005306	2	-
13	Clip M5	-	-	-	-	AP8102375	2	-
14	Stud bolt	-	-	-	-	978880	1	-
15	Stud bolt	-	-	-	-	978619	2	-
16	Washer 6,4x12	-	-	-	-	GU03013800	1	-

		STELVIO 1200 NTX - ABS 1200 2009	GU095	00	TAB N.	64		
THROTTLE BODY								
								
Pos.	Description	Year	I_M	Country	Version	Code	Q.ty	P.Cod.
1	Throttle assy	-	-	-	-	976697	1	EC***
2	Potentiometer	-	-	-	-	981010	1	EC059
3	RH manifold	-	-	-	-	873490	1	AC00A
4	Injector kit complete	-	-	-	-	CM074706	2	EC129
5	Flange	-	-	-	-	976498	2	-
6	O-ring 53,7x1,78	-	-	-	-	976566	2	-
7	Gasket	-	-	-	-	873879	2	AO04*
8	LH manifold	-	-	-	-	873491	1	AC00B
9	Low head socket screw M6x25 M6x25	-	-	-	-	GU98882325	6	AC369
10	Washer 6,15x11x0,8	-	-	-	-	GU95008206	6	-
11	Hex socket screw M6x20	-	-	-	-	GU98350310	2	-
12	Washer 6,25x10x1,5	-	-	-	-	GU95100116	2	-
13	Hose clamp 61/65,5	-	-	-	-	GU93305061	4	AC029
14	Hose	-	-	-	-	873861	2	AC04*
15	Hex socket screw M5x12	-	-	-	-	GU98682212	2	-
16	Intake hose RH	-	-	-	-	877057	1	EB04V
17	Intake hose LH	-	-	-	-	877056	1	EB04W
18	Clamp 50x90x9	-	-	-	-	GU93306050	2	AC029
19	Washer 5,3X10X1	-	-	-	-	GU95008305	2	-
20	Min.regulation engine	-	-	-	-	981011	1	CE509

		STELVIO 1200 NTX - ABS 1200 2009	GU095	00	TAB N.	65		
SPECIAL PARTS								
								
Pos.	Description	Year	I_M_	Country	Version	Code	Q.ty	P.Cod.
1	Protection	-	-	-	ntx	-	983153	1 -
2	Protection	-	-	-	ntx	-	983152	1 -
3	suitcase connect. Kit	-	-	-	ntx	-	981073	1 -
4	RH suitcase	-	-	-	ntx	-	981071	1 -
5	LH suitcase	-	-	-	ntx	-	981072	1 -
6	Saddlebags lock hardw.kit	-	-	-	ntx	-	981074	1 -
7	Fog headlight	-	-	-	ntx	-	883657	2 -
8	Additional light kit	-	-	-	ntx	-	983161	1 -
9	RH handguard	-	-	-	ntx	-	883254	1 -
10	LH handguard	-	-	-	ntx	-	883253	1 -
11	Anti.v weight, black	-	-	-	ntx	-	AP8104627	2 -
12	Washer 6,5x12,5*	-	-	-	ntx	-	AP8121819	2 -
13	Hex socket screw M6x70	-	-	-	ntx	-	AP8150342	2 -
14	Terminal	-	-	-	ntx	-	883134	2 -

		STELVIO 1200 NTX - ABS 1200 2009		GU095	00	TAB N.	66	
								
Pos.	Description	Year	I_M	Country	Version	Code	Q.ty	P.Cod.
1	Belt tensioning tool	-	-	-	-	020677Y	1	-
2	Front cover installation cone	-	-	-	-	GU05911730	1	-
3	Valve spring comp insert	-	-	-	-	AP9100838	1	-
4	Connecting rod stopper	-	-	-	-	020716Y	1	-
5	Tool for piston pin catch ass.	-	-	-	-	020470Y	1	-
6	Timing cover seal drift	-	-	-	-	GU05927230	1	-
7	Wrench remov.cover sump/filter	-	-	-	-	GU01929100	1	-
8	Flange flywheel side	-	-	-	-	GU12912000	1	-
9	Seal ring onto flange flywheel side	-	-	-	-	GU14927100	1	-
10	Lock flywheel starter motor gear	-	-	-	-	GU12911801	1	-
11	Bow for valve assembly and disassembly	-	-	-	-	AP8140179	1	-
12	Clutch spring comp insert	-	-	-	-	020672Y	1	-
13	Gearbox housing support	-	-	-	-	GU05902530	1	-
14	Index plate timing setting/ignition control	-	-	-	-	GU19929600	1	-
15	Arrow timing setting ignition control	-	-	-	-	GU17947560	1	-
16	Index plate hub	-	-	-	-	020673Y	1	-
17	Flange removal flywheel side	-	-	-	-	GU12913600	1	-
18	Seal ring flange flywheel side	-	-	-	-	GU19927100	1	-
19	Piston ring spanner	-	-	-	-	020674Y	1	-
20	Service shaft gear retainer	-	-	-	-	020675Y	1	-
21	Piston position dial gauge support	-	-	-	-	020676Y	1	-
22	Clutch rod inspection tool	-	-	-	-	020678Y	1	-
23	Extractor spark plug cap	-	-	-	-	020689Y	1	-

		STELVIO 1200 NTX - ABS 1200 2009		GU095	00	TAB N.	67	
SPECIFIC TOOLS II								
								
Pos.	Description	Year	I_M_	Country	Version	Code	Q.ty	P.Cod.
1	Steering lock tool	-	-	-	-	AP8140190	1	-
2	Handle for drifts	-	-	-	-	GU05902732	1	-
3	Ball joint seal drift	-	-	-	-	GU05902733	1	-
4	Transmis.box oil seal drift 85	-	-	-	-	GU05902731	1	-
5	Sprocket oil seal drift 45x58	-	-	-	-	GU05902735	1	-
6	Wrench for sprocket ring nut	-	-	-	-	GU05902734	1	-
7	Transmission box support	-	-	-	-	GU05902730	1	-
8	Bevel gears support	-	-	-	-	GU05902736	1	-
9	Tool oil seal assy	-	-	-	-	AP8140758	1	-
10	Weight for AP8140189	-	-	-	-	AP8140146	1	-
11	Protection for disassembly op	-	-	-	-	AP8140149	1	-



- - - Kom proefrijden op een van onze demo's-
Stelvio,Norge,1200Sport,Griso,Bellagio,V7Classic,Br

- [Home](#)
- [Contact/Route/Open](#)
- [Nieuws »](#)
- [Online shop »](#)
- [Motoren »](#)
- [Gebruikte onderdelen](#)
- [Werkplaats](#)
- [Activiteiten »](#)
- [Koffiehoek »](#)
- [Specials »](#)



© 2004-2009 Teo Lamers
Motorrijwielen
Totaal bezoekers :
872181 sinds 26-07-2004
« Disclaimer »

Weer Nijmegen
Don, 14.05.09
half bewolkt
0
19 km/h
max. 21°C
min. 13°C
Radarbeelden
© MeteoConsult

Contactinformatie

Teo Lamers Motorrijwielen Tel. : 024 3711111
Nijverheidsweg 26 Fax : 024 3711110
6541 CM Nijmegen E-mail : info@tlm.nl

Betalingsgegevens:

Rabobank **Postbank**
Rekeningnummer: 157899527 Girorekeningnummer: 6845353
IBAN : NL56RABO0157899527
SWIFT : RABONL2U

Bij betaling a.u.b. factuurnummer en datum vermelden

Verstuur bericht »

Openingstijden

Normale openingstijden:

Maandag 08.00 - 17.00
Dinsdag 08.00 - 17.00
Woensdag 08.00 - 17.00
Donderdag 08.00 - 17.00
Vrijdag 08.00 - 17.00
Zaterdag 08.00 - 16.00
Zondag -Gesloten-

LET OP: Feestdagen / Gesloten in 2008 en 2009

Feestdag	2008	2009
Nieujaarsdag	1 Januari	1 Januari
2e Paasdag	24 maart	13 April
Koninginnedag	30 April	30 April
Hemelvaart	1 Mei	21 Mei
Pinksteren	12 Mei	1 Juni
4Daagse Nijmegen	18 juli	24 Juli
4Daagse Nijmegen	19 juli	25 Juli
1e Kerstdag	25 December	25 December
2e Kerstdag	26 December	26 December
	27 December	

Routebeschrijving

Vul hieronder uw postcode in en de beste route naar TLM wordt automatisch berekend.

Postcode

Verkoop

**Nieuw: 1200 Sport 4V
ABS
Nieuw: Griso 1200 8v SE
Nieuw: Stelvio TT / NTX**

Magazijn

Webshop uitgebreid!
Goedkoper verzekeren?
Nieuw: Guzzi Horloges

Werkplaats

Restauratie V7 Sport
Moto Guzzi aankoopkeuring

Gebruikt

California 3 gesloopt
Nevada gesloopt

Motor van de maand

**Moto Guzzi BREVA 1100
ABS**

Voor : € 8.750,00



Meer informatie

Aanbiedingsonderdeel

**Badge moto guzzi
ovaal /groot 20x10,6cm**
Van : € ~~15,01~~
Voor : € 12,50



Meer informatie

Zojuist verkocht

1000 Le Mans V

